


FEATURE - Key cabinets with the wall mounting option. Adjustable, colourful and numbered hook bars.

Suitable for the storage of:
 key

Description
 Ulm series- key cabinets.

Body: single-walled body (1 mm thick)
Door: single-walled door (1 mm thick)
Locking: 1-way locking system

Standard option
Lock: cylindrical lock with two keys
Hinges: internal
Door opening angle: 120°
Mounting holes: 4 holes in back wall
Colour: RAL 7035 (light grey)



Art. No.	Model	Outer dimensions*			Inner dimensions			Anchoring		Hooks in total	Weight
		Height mm	Width mm	Depth mm	Height mm	Width mm	Depth mm	Bottom number	Backwall number	Number	Kg
03000	Ulm	255	190	80	253	188	79	0	4	10	1,6
03001	Ulm	255	190	80	253	188	79	0	4	20	1,7
03002	Ulm	255	190	130	253	188	129	0	4	20	2
03003	Ulm	305	230	80	303	228	79	0	4	25	2,1
03004	Ulm	305	230	80	303	228	79	0	4	30	2,1
03005	Ulm	305	230	80	303	228	79	0	4	35	2,2
03006	Ulm	305	245	130	303	243	129	0	4	42	2,8
03007	Ulm	305	245	130	303	243	129	0	4	49	2,9
03008	Ulm	305	245	130	303	243	129	0	4	84	3,8

* excluding hinges, handles and fittings



Body: single-walled body (1 mm thick)



Door: single-walled door (1 mm thick)

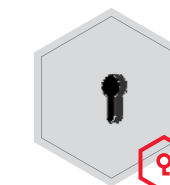
Closure options

Standard

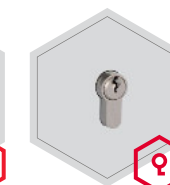


Cam lock

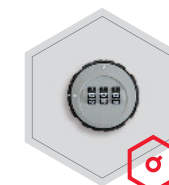
Options available against surcharge



Preparation for Euro profile lock



Euro profile lock



Cylindrical combination lock



Electronic lock


Accessories available against surcharge



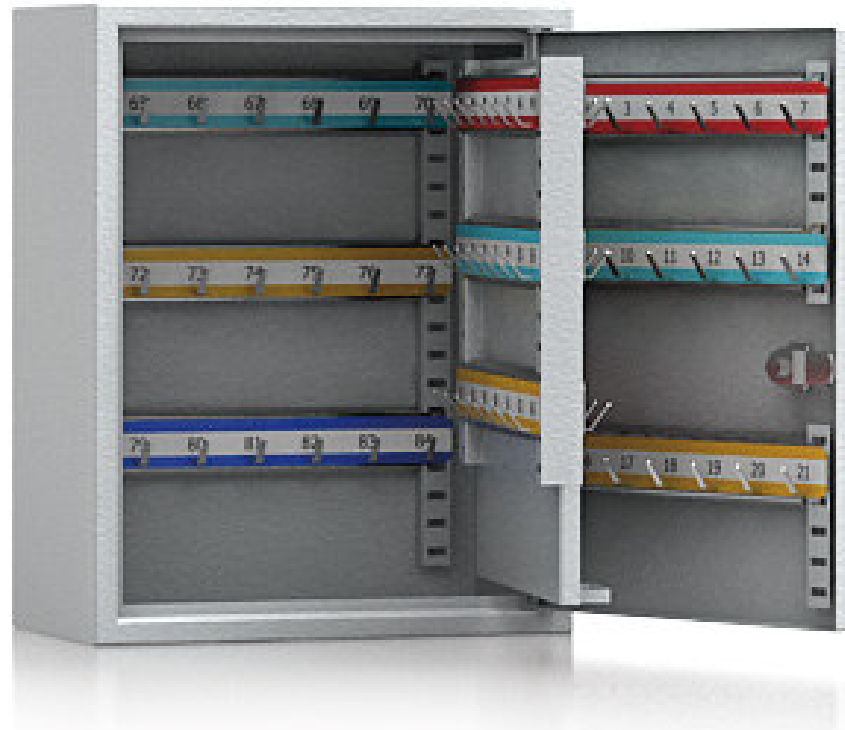
Key rings

Colour options without surcharge








 All information concerning weight, color and dimensions are noncommittal and subject to errors and changes. Minor deviations are conditional on the production process. Technical changes, modifications and printing errors reserved. Safes may be top-heavy, during commissioning, please exercise appropriate caution in accordance with the installation guide. Pictograms are not technical description of the product.

The picture shows an example of a key cabinet - model Ulm Art. no. 03008.



Key ring options against surcharge.

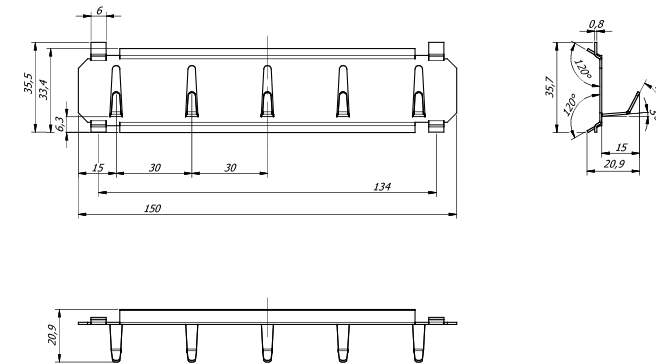


Color	Article No.
 blue	Art. 15023.00
 green	Art. 15023.01
 yellow	Art. 15023.02
 red	Art. 15023.03
 black	Art. 15023.04

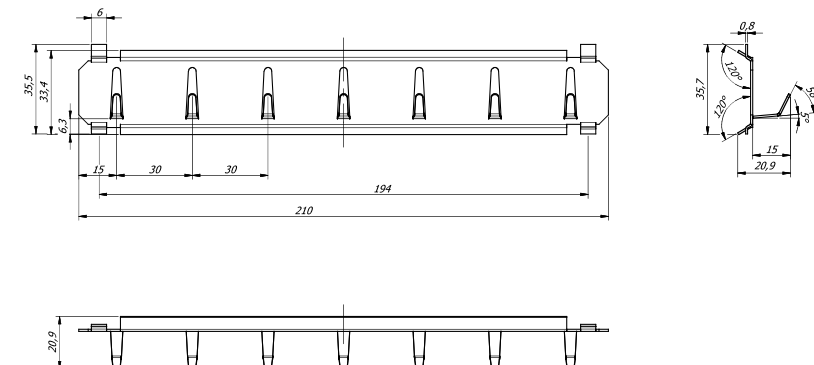
Artikel	Modell	Hakenleisten			Hakenanzahl pro Leiste			Zwischen-wände	Hakenanzahl
		Rückwand Anzahl	Tür Anzahl	Zwischen-wand Anzahl	Rückwand Anzahl	Tür Anzahl	Zwischen-wand Anzahl	Anzahl	Anzahl
03000	Ulm	2	-	-	5	-	-	-	10
03001	Ulm	2	2	-	5	5	-	-	20
03002	Ulm	2	2	-	5	5	-	-	20
03003	Ulm	3	2	-	5	5	-	-	25
03004	Ulm	3	3	-	5	5	-	-	30
03005	Ulm	4	3	-	5	5	-	-	35
03006	Ulm	3	3	-	7	7	-	-	42
03007	Ulm	4	3	-	7	7	-	-	49
03008	Ulm	3	3	3 x 2	7	7	7	1	84

Standard hook bars

Art. no. 02005



Art. no. 02007



Bar

