

Model
Stuttgart-Zuffenhausen



Security level: Class S1 according to EN 14450
Security level: A according to VDMA 24992 - Conditions May '95
Fire rating : Fire-protected safes according to EN 15659 LFS 30 P

SPECIAL FEATURE - safe equipped with 150 mm / 370 mm inner safe depending on model.
 Model 53102 additionally equipped with partition wall with adjustable shelves on the right.

- Suitable for the storage of:
- long, short weapons
 - ammunition
 - office documents

Description
 Stuttgart-Zuffenhausen series - safes for gun storage with light fire resistance (LFS 30 P).

Body: double-walled body (63 mm thick)
Door: multi-walled door construction (78 mm thick)
Locking: 4-way locking bolt system - incl. fix bolts on the hinge side

Standard option:
Lock: high security key lock I class VdS with two keys (95 mm)
Boltwork handle: handle, protruding 60 mm
Hinges: external
Door opening angle: 180°
Mounting holes: 2 holes in the floor
Colour: RAL 7035 (light grey)

Art. No.	Model	Outer dimensions*			Inner dimensions			Door light		Anchoring		Weight Kg	Shelves Number	Weapon brackets Number	Internal safe Height mm
		Height mm	Width mm	Depth mm	Height mm	Width mm	Depth mm	Height mm	Width mm	Bottom number	Backwall number				
53100	Stuttgart-Zuffenhausen	1520	700	510	1229	574	327	1379	534	2	-	153	-	10	150
53101	Stuttgart-Zuffenhausen	1870	700	510	1359	574	327	1729	534	2	-	185	-	10	370 ****
53102	Stuttgart-Zuffenhausen**	1870	950	510	1359	824	327	1729	784	2	-	247	3 ***	10	370 *****

* excluding hinges, handles and fittings ** 2-door *** right side **** with adjustable shelf ***** double-door inner safe with partition wall; with adjustable shelf



Body: double-walled body (63 mm thick)



Door: multi-walled door construction (78 mm thick)

Closure options

Standard option



Key lock

Options available against surcharge



Mechanical code lock

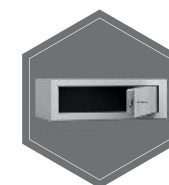


Electronic lock

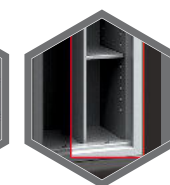


Electronic lock with mechanical emergency

Accessories available against surcharge



Inner safe Class B according to VDMA

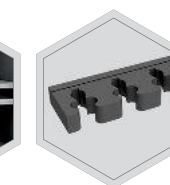


Partition wall with shelves

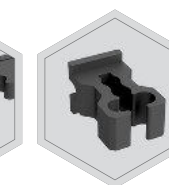
Alternative options



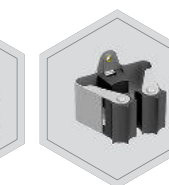
Left door



Gun holder (65 mm)



Rubbery gun holder



PRAX gun holder

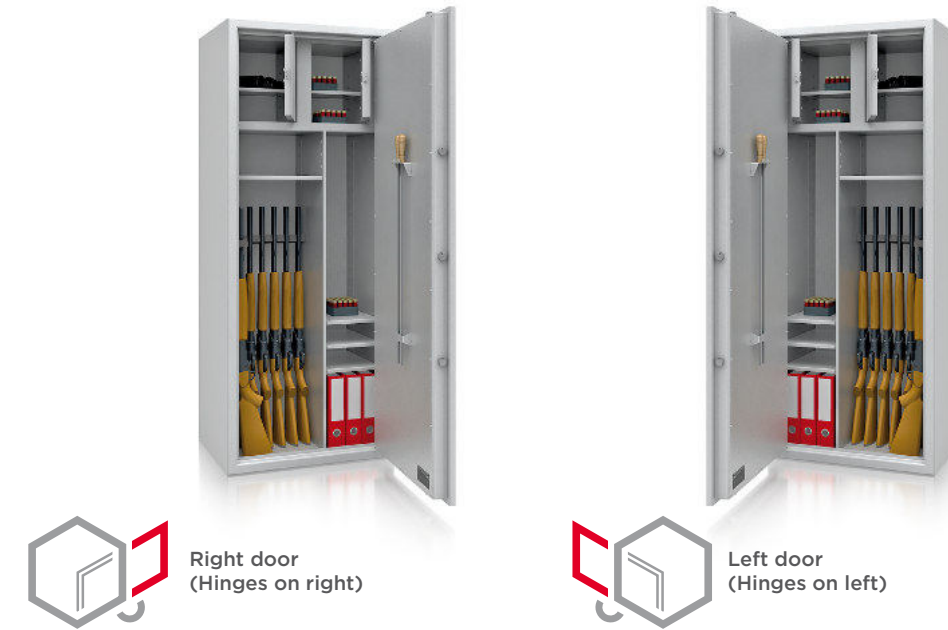


All information concerning weight, color and dimensions are noncommittal and subject to errors and changes. Minor deviations are conditional on the production process. Technical changes, modifications and printing errors reserved. Safes may be top-heavy, during commissioning, please exercise appropriate caution in accordance with the installation guide. Pictograms are not technical description of the product.

The image depicts a sample of a gun safe - **St.Gallen 56402** with additional equipment.



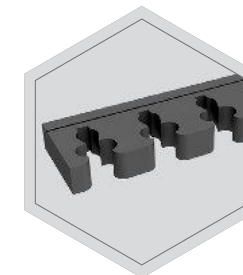
With options **left door** - internal equipment will be located opposite to the standard - the so-called mirror reflection



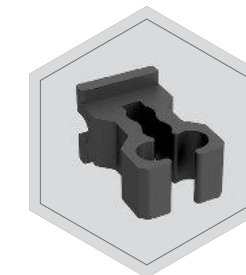
Option with **partition wall** - the amount of gun holders and the location of the shelves is needed



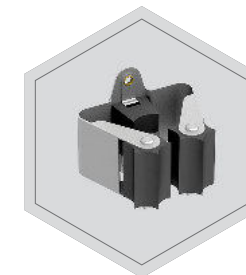
Gun holder



Gun holders with 55 mm span



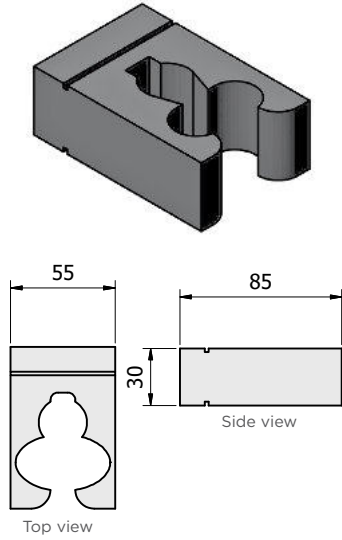
Rubbery gun holders



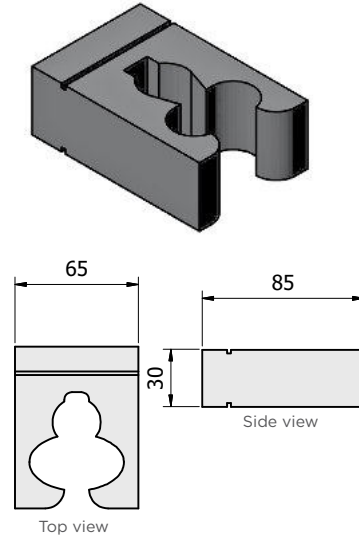
PRAX gun holders

Foam gun holders

Standard foam gun holder with 55 mm span

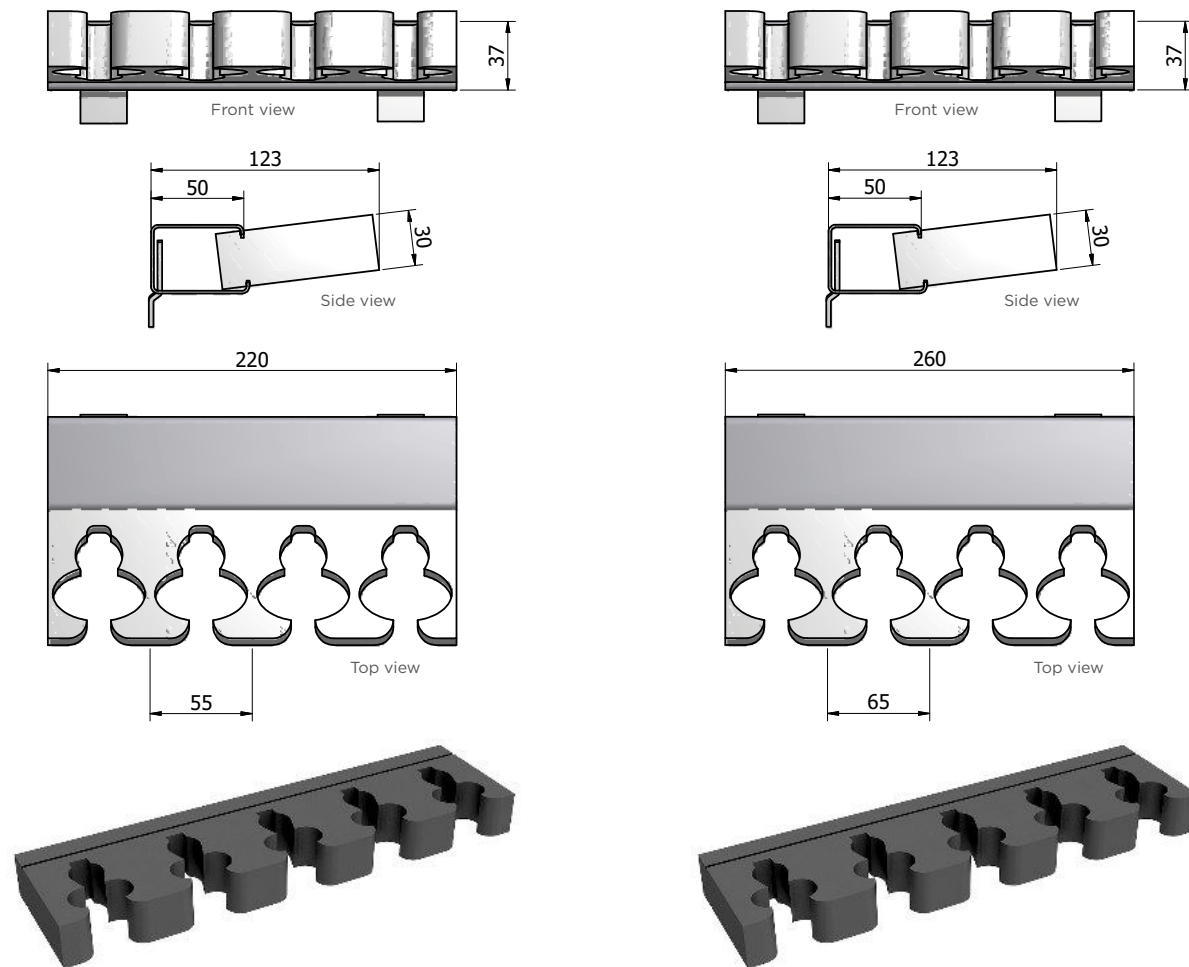


Foam gun holder with 65 mm span



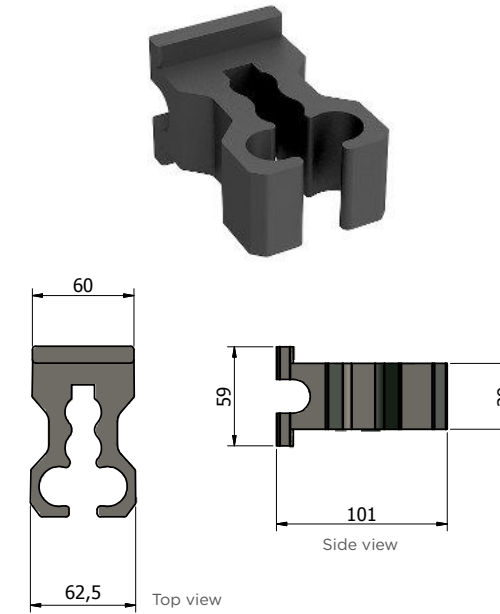
Exemplary assembly of the gun holders on the rail:

⚠ Foam gun holders are assembled as one piece not separately.

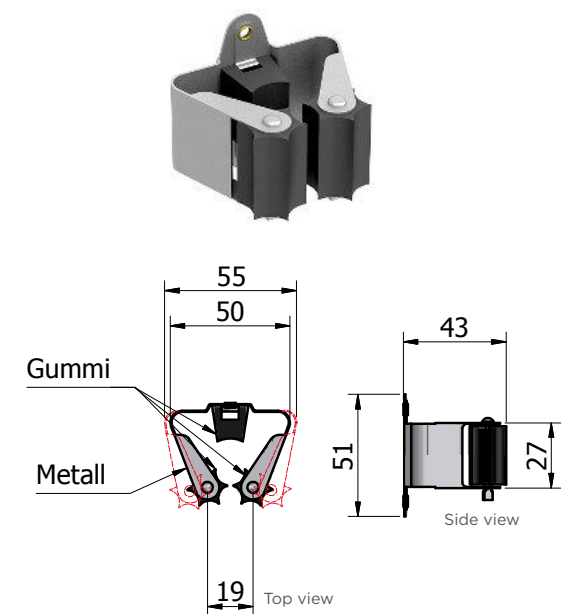


Rubbery gun holders

Rubbery gun holder

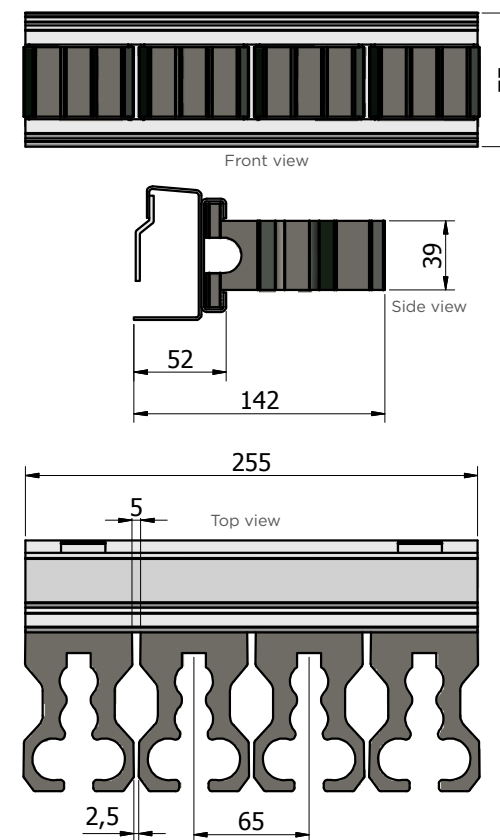


PRAX gun holder



Exemplary assembly of the gun holders on the rail:

⚠ Rubbery gun holders may be assembled on the rail separately, which enables extending of the distance between them. There is a possibility to disassembly particular gun holders. Special rail required.



⚠ Gun holders may be screwed to the rail separately, which enables extending of the distance between them.

Special rail required.

