

Model **Starnberg**



Security level: Class S1 according to EN 14450
Security level: A according to VDMA 24992 - Conditions May '95

SPECIAL FEATURE - safe equipped with 2 inner safes with 1 adjustable shelf in each. Inner safes locked with certified key lock in class A (inner safe construction compatible with class B according to VDMA). Standard version with partition wall, 3 adjustable shelves on the right, 10 gun holders on the left: 8 gun holders placed on the back wall, 2 gun holders placed on the left side of partition wall.

Suitable for the storage of:
 long, short weapons
 ammunition

Description
 Starnberg series - safe for long rifle storage, the height of rifle location under the inner safe is 1237 mm in model 53000; it changes according to the model.

Body: single-walled body (3 mm thick)
Door: double-walled door construction (76 mm thick)
Locking: 4-way locking bolt system - incl. fix bolts on the hinge side

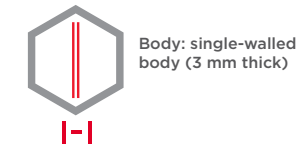
Standard option
Lock: high security key lock I class VdS with two keys (95 mm)
Boltwork handle: handle, protruding 60 mm
Hinges: external
Door opening angle: 180°
Mounting holes: 2 holes in the floor and back wall
Colour: RAL 7035 (light grey)



Model **Starnberg**

Art. No.	Model	Outer dimensions*			Inner dimensions			Door light		Anchoring		Weight Kg	Shelves Number	Weapon brackets Number	Internal safe Height mm
		Height mm	Width mm	Depth mm	Height mm	Width mm	Depth mm	Height mm	Width mm	Bottom number	Backwall number				
53000	Starnberg	1650	700	500	1237	694	379	1540	590	2	2	202	3+1 **	8+2	411 ***
53001	Starnberg	1750	700	500	1337	694	379	1640	590	2	2	210	3+1 **	8+2	411 ***
53002	Starnberg	1950	950	500	1537	944	379	1840	840	2	2	280	3+1 **	8+2	411 ***

* excluding hinges, handles and fittings ** right + left *** two inner safes with certified key lock, with adjustable shelf



Closure options

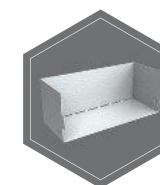
Standard option



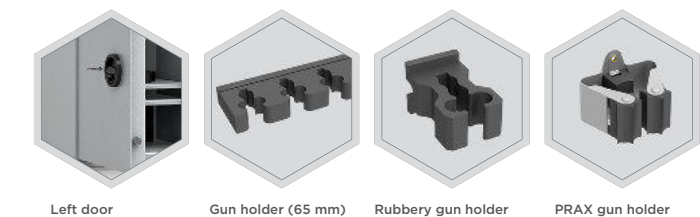
Options available against surcharge



Accessories available against surcharge



Alternative options

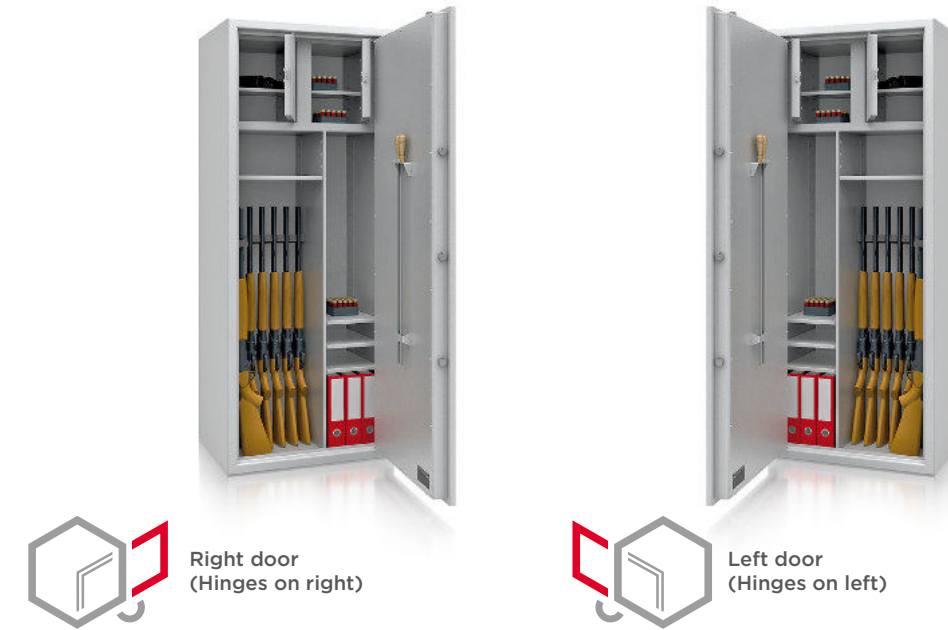


All information concerning weight, color and dimensions are noncommittal and subject to errors and changes. Minor deviations are conditional on the production process. Technical changes, modifications and printing errors reserved. Safes may be top-heavy, during commissioning, please exercise appropriate caution in accordance with the installation guide. Pictograms are not technical description of the product.

The image depicts a sample of a gun safe - **St.Gallen 56402** with additional equipment.



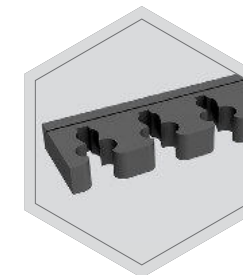
With options **left door** - internal equipment will be located opposite to the standard - the so-called mirror reflection



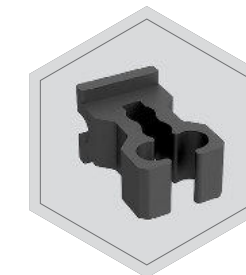
Option with **partition wall** - the amount of gun holders and the location of the shelves is needed



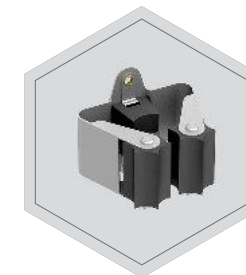
Gun holder



Gun holders with 55 mm span



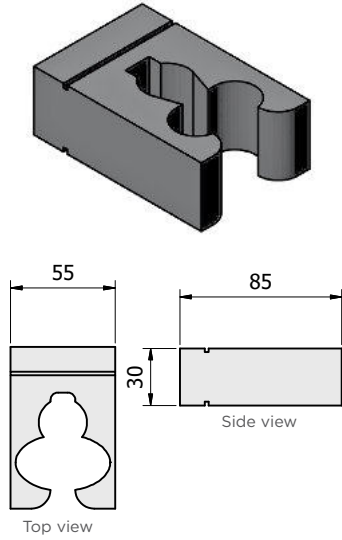
Rubbery gun holders



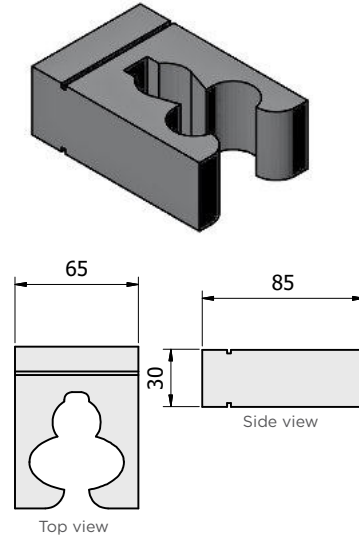
PRAX gun holders

Foam gun holders

Standard foam gun holder with 55 mm span

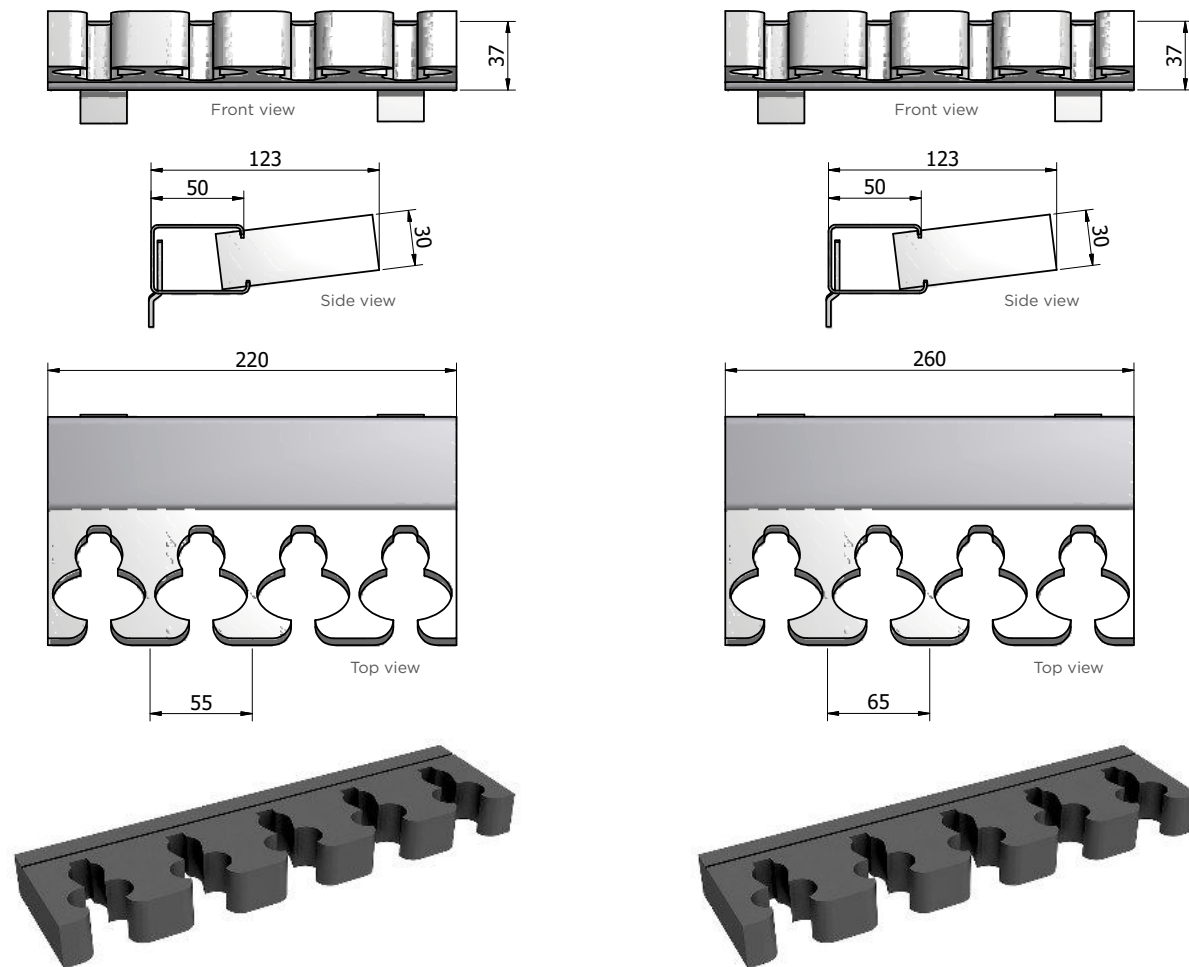


Foam gun holder with 65 mm span



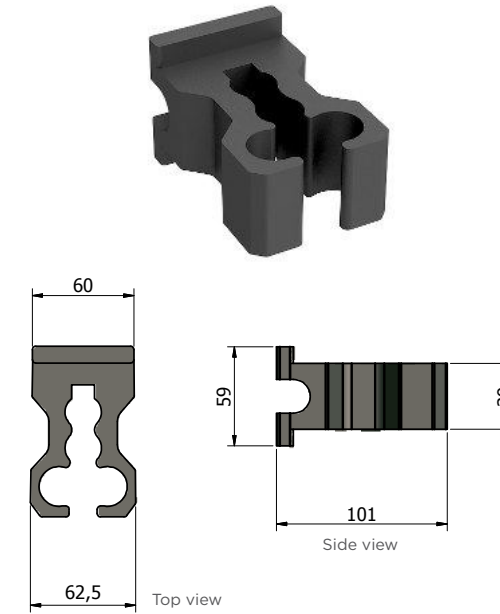
Exemplary assembly of the gun holders on the rail:

⚠ Foam gun holders are assembled as one piece not separately.

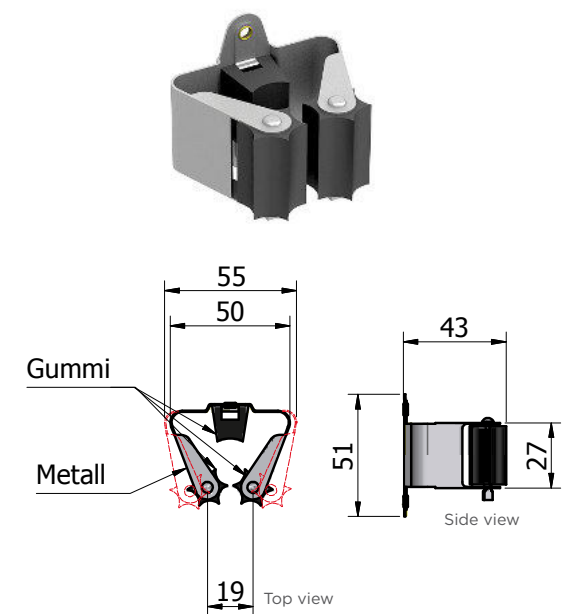


Rubbery gun holders

Rubbery gun holder

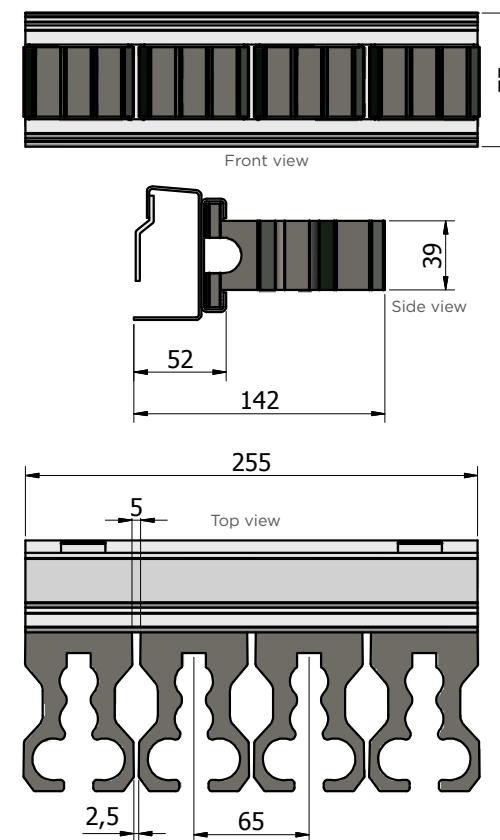


PRAX gun holder



Exemplary assembly of the gun holders on the rail:

⚠ Rubbery gun holders may be assembled on the rail separately, which enables extending of the distance between them. There is a possibility to disassembly particular gun holders. Special rail required.



⚠ Gun holders may be screwed to the rail separately, which enables extending of the distance between them.

Special rail required.

