

Model  
**St. Gallen WF**



**Security level: Class I according to EN 1143-1**

**SPECIAL FEATURE** - safe equipped with 200 mm high inner safe.

Suitable for the storage of:

- gun
- ammunition
- office documents, office equipment
- valuables

**Description**

St.Gallen WF series - High security gun safe - ECB•S certification.

**Body:** double-walled body (25 mm thick)

**Door:** multi-walled door construction (84 mm thick)

**Locking:** 4-way locking bolt system - incl. overlapping profile on the hinge side

**Standard option**

**Lock:** high security key lock I class VdS with two keys (95 mm)

**Boltwork handle:** handle, protruding 60 mm

**Door opening angle:** 180°

**Mounting holes:** 1 hole in the floor and 1 on the back-wall

**Colour:** RAL 7035 (light grey)

Model  
**St. Gallen WF**

Art. No.	Model	Outer dimensions*			Inner dimensions			Door light		Anchoring		Weight Kg	Shelves Number	Weapon brackets Number	Internal safe Height mm
		Height mm	Width mm	Depth mm	Height mm	Width mm	Depth mm	Height mm	Width mm	Bottom number	Backwall number				
56400.00	St. Gallen WF	1550	420	430	1300	370	320	1438	324	1	1	163	-	6	200
56401.00	St. Gallen WF	1550	585	430	1300	535	320	1438	489	1	1	200	-	9	200
56402.00	St. Gallen WF	1550	750	430	1300	700	320	1438	654	1	1	235	-	12	200
56403.00	St. Gallen WF	1550	860	430	1300	810	320	1438	764	1	1	258	-	14	200
56404.00	St. Gallen WF **	1550	915	430	1300	865	320	1438	835	1	1	286	-	15	200
56405.00	St. Gallen WF **	1550	1080	430	1300	1030	320	1438	1000	1	1	323	-	18	200

\* excluding hinges, handles and fittings \*\* 2-door



Body: double-walled body (25 mm thick)



Door: multi-walled door construction (84 mm thick)

**Closure options**

Standard option



Key lock

Options available against surcharge



Mechanical code lock

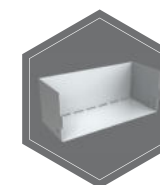


Electronic lock

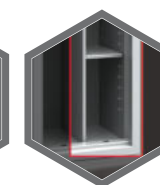


Electronic lock with mechanical emergency

**Accessories available against surcharge**



Storage tray

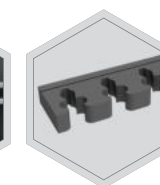


Partition wall with shelves

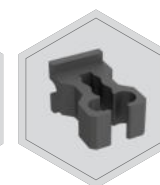
**Alternative options**



Left door



Gun holder (65 mm)



Rubbery gun holder



PRAX gun holder



All information concerning weight, color and dimensions are noncommittal and subject to errors and changes. Minor deviations are conditional on the production process. Technical changes, modifications and printing errors reserved. Safes may be top-heavy, during commissioning, please exercise appropriate caution in accordance with the installation guide. Pictograms are not technical description of the product.

The image depicts a sample of a gun safe - **St.Gallen 56402** with additional equipment.



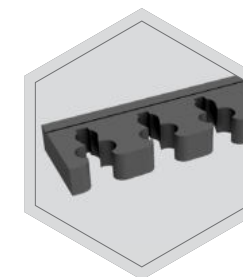
With options **left door** - internal equipment will be located opposite to the standard - the so-called mirror reflection



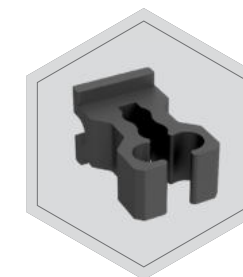
Option with **partition wall** - the amount of gun holders and the location of the shelves is needed



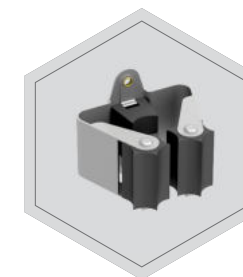
Gun holder



Gun holders with 55 mm span



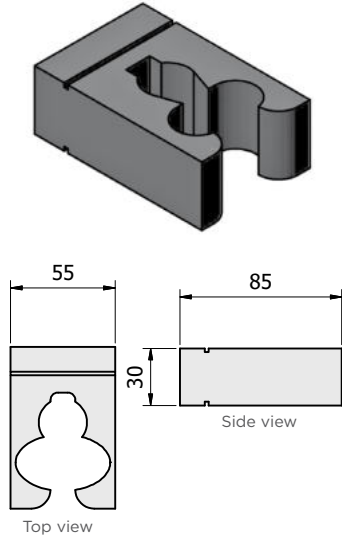
Rubbery gun holders



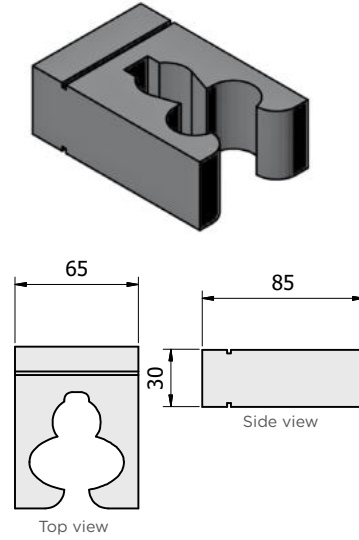
PRAX gun holders

### Foam gun holders

Standard foam gun holder with 55 mm span

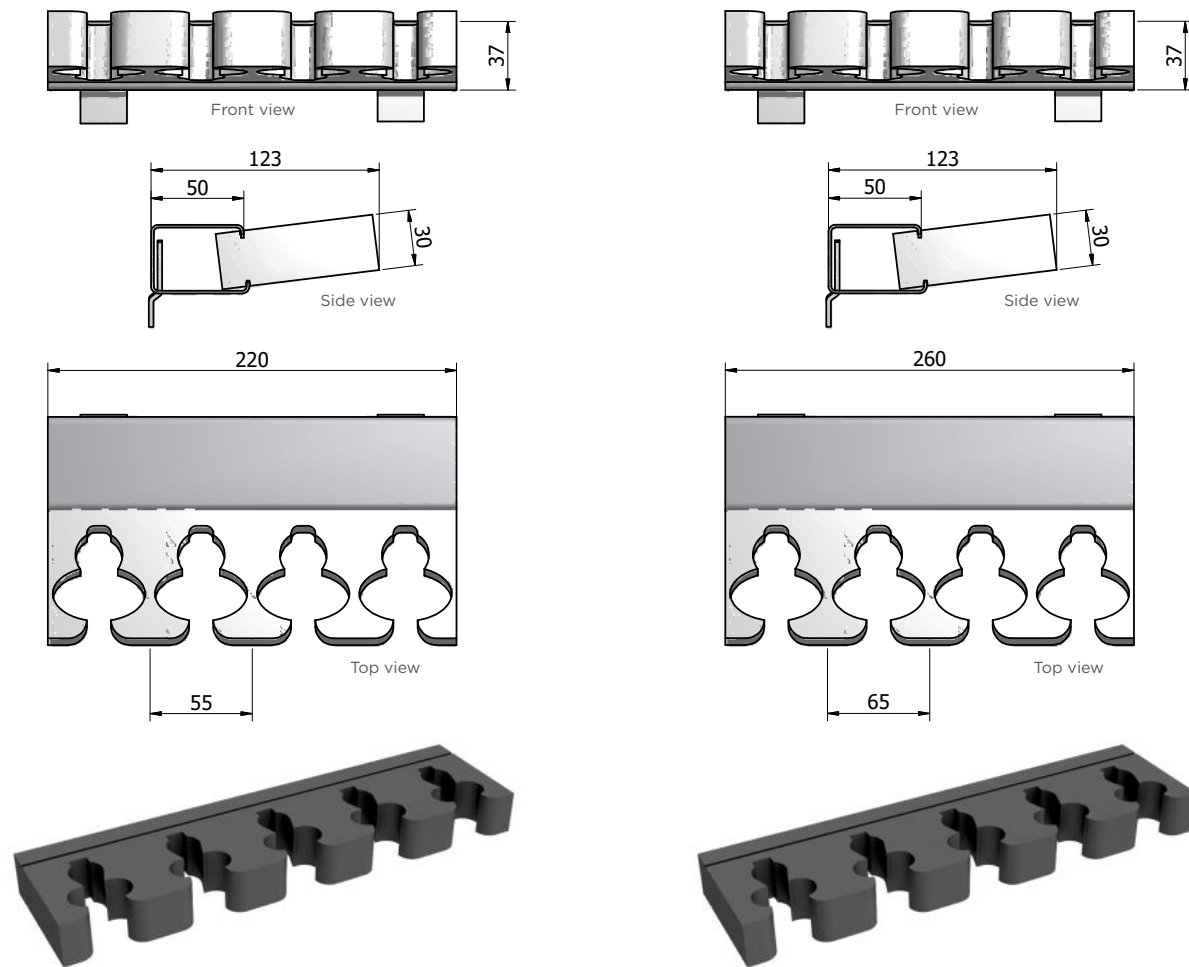


Foam gun holder with 65 mm span



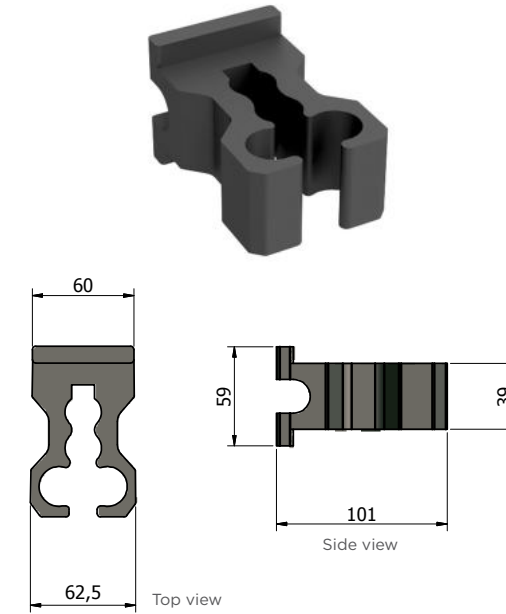
Exemplary assembly of the gun holders on the rail:

⚠ Foam gun holders are assembled as one piece not separately.

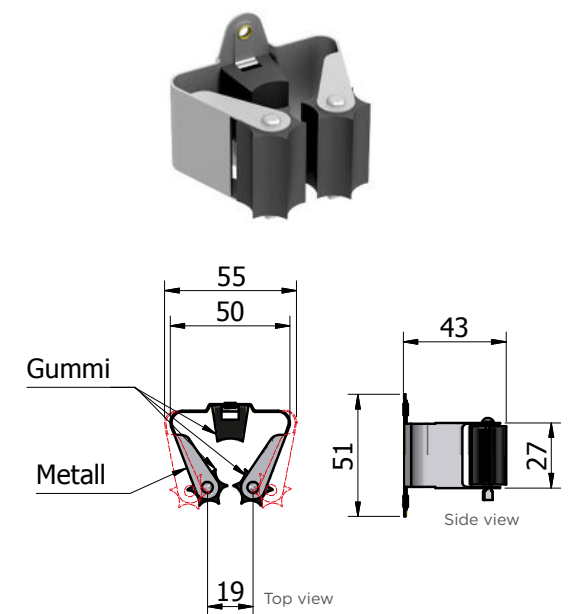


### Rubbery gun holders

Rubbery gun holder

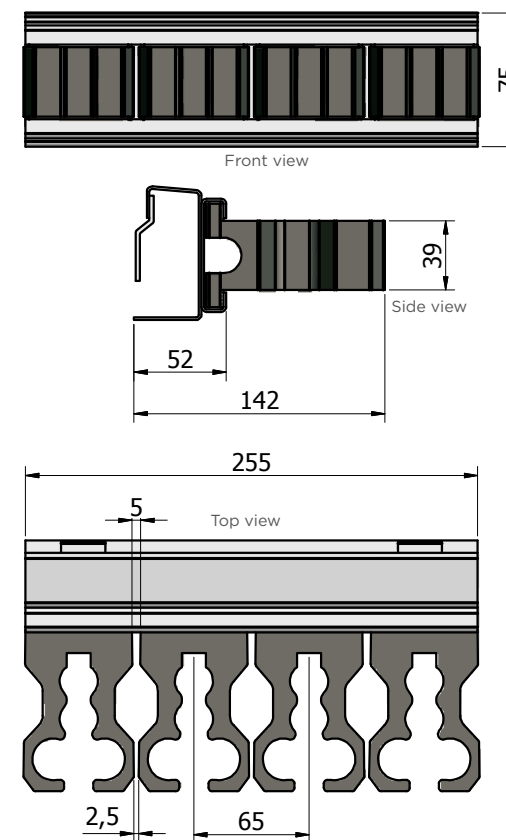


PRAX gun holder



Exemplary assembly of the gun holders on the rail:

⚠ Rubbery gun holders may be assembled on the rail separately, which enables extending of the distance between them. There is a possibility to disassembly particular gun holders. Special rail required.



⚠ Gun holders may be screwed to the rail separately, which enables extending of the distance between them.

Special rail required.

