

Model Osnabrück-Melle



Security level: Class I according to EN 1143-1

SPECIAL FEATURE - safe equipped with 180 / 215 / 350 mm high inner safe (depending on the model). The back wall made in a manner which facilitates relocating the gun holders.

Suitable for the storage of:

- long, short weapons
- ammunition
- office documents
- valuables

Description

Osnabrück-Melle series - High security gun safes.

Body: multi-walled body (35 mm thick)

Door: multi-walled door construction (83 mm thick)

Locking: 4-way locking bolt system - incl. overlapping profile on the hinge side

Standard option

Lock: high security key lock I class VdS with two keys (95 mm)

Boltwork handle: handle, protruding 60 mm

Hinges: external

Door opening angle: 180°

Mounting holes: 1 hole in the floor

Colour: RAL 7035 (light grey)

Model Osnabrück-Melle

Art. No.	Model	Outer dimensions*			Inner dimensions			Door light		Anchoring		Weight Kg	Shelves Number	Weapon brackets Number	Internal safe Height mm
		Height mm	Width mm	Depth mm	Height mm	Width mm	Depth mm	Height mm	Width mm	Bottom number	Backwall number				
55700	Osnabrück-Melle	1470	520	415	1205	450	256	1370	420	1	-	165	-	8	180
55701	Osnabrück-Melle	1600	520	415	1300	450	256	1500	420	1	-	178	-	8	215
55702	Osnabrück-Melle	1470	800	415	1205	730	256	1370	700	1	-	222	-	13	180
55703	Osnabrück-Melle	1600	800	495	1300	730	336	1500	700	1	-	258	-	13	215
55704	Osnabrück-Melle	1820	800	495	1385	730	336	1720	700	1	-	290	-	13	350

* excluding hinges, handles and fittings



Body: multi-walled body (35 mm thick)



Door: multi-walled door construction (83 mm thick)

Closure options

Standard option

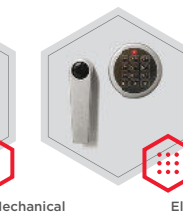


Key lock

Options available against surcharge



Mechanical code lock

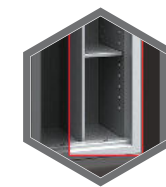


Electronic lock



Electronic lock with mechanical emergency

Accessories available against surcharge

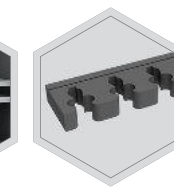


Partition wall with shelves

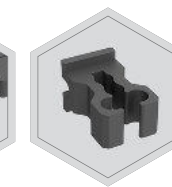
Alternative options



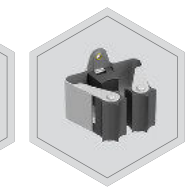
Left door



Gun holder (65 mm)



Rubbery gun holder



PRAX gun holder

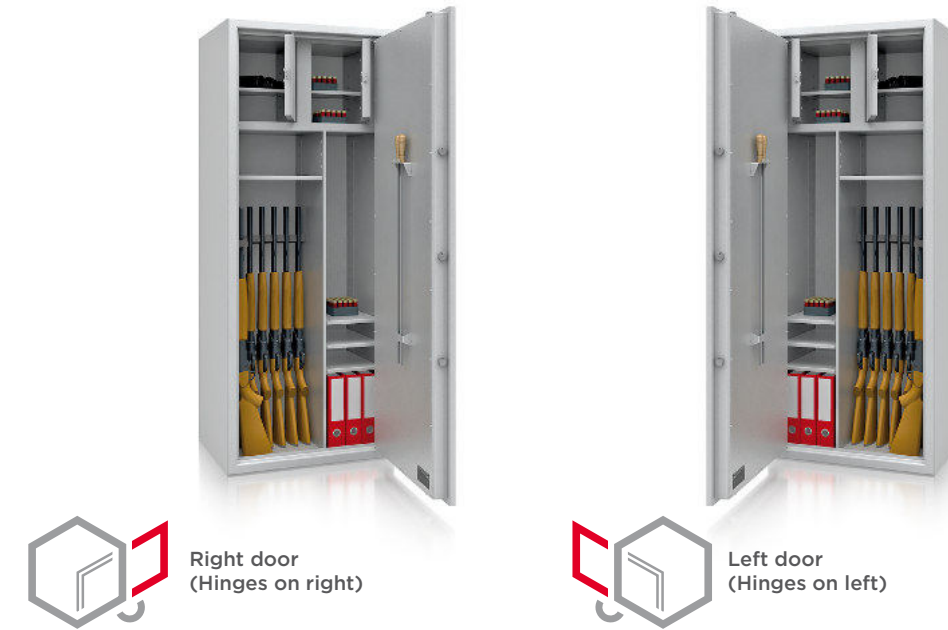


All information concerning weight, color and dimensions are noncommittal and subject to errors and changes. Minor deviations are conditional on the production process. Technical changes, modifications and printing errors reserved. Safes may be top-heavy, during commissioning, please exercise appropriate caution in accordance with the installation guide. Pictograms are not technical description of the product.

The image depicts a sample of a gun safe - **St.Gallen 56402** with additional equipment.



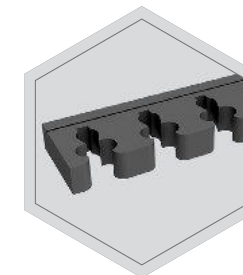
With options **left door** - internal equipment will be located opposite to the standard - the so-called mirror reflection



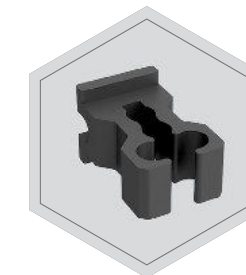
Option with **partition wall** - the amount of gun holders and the location of the shelves is needed



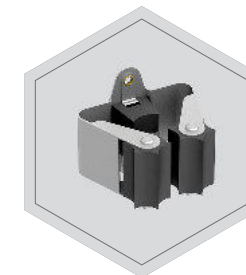
Gun holder



Gun holders with 55 mm span



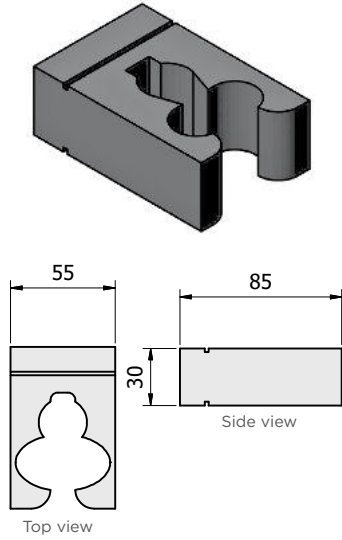
Rubbery gun holders



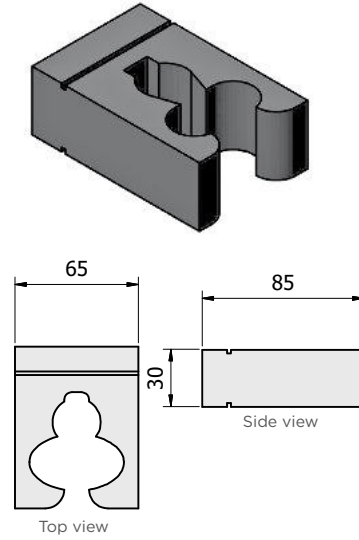
PRAX gun holders

Foam gun holders

Standard foam gun holder with 55 mm span

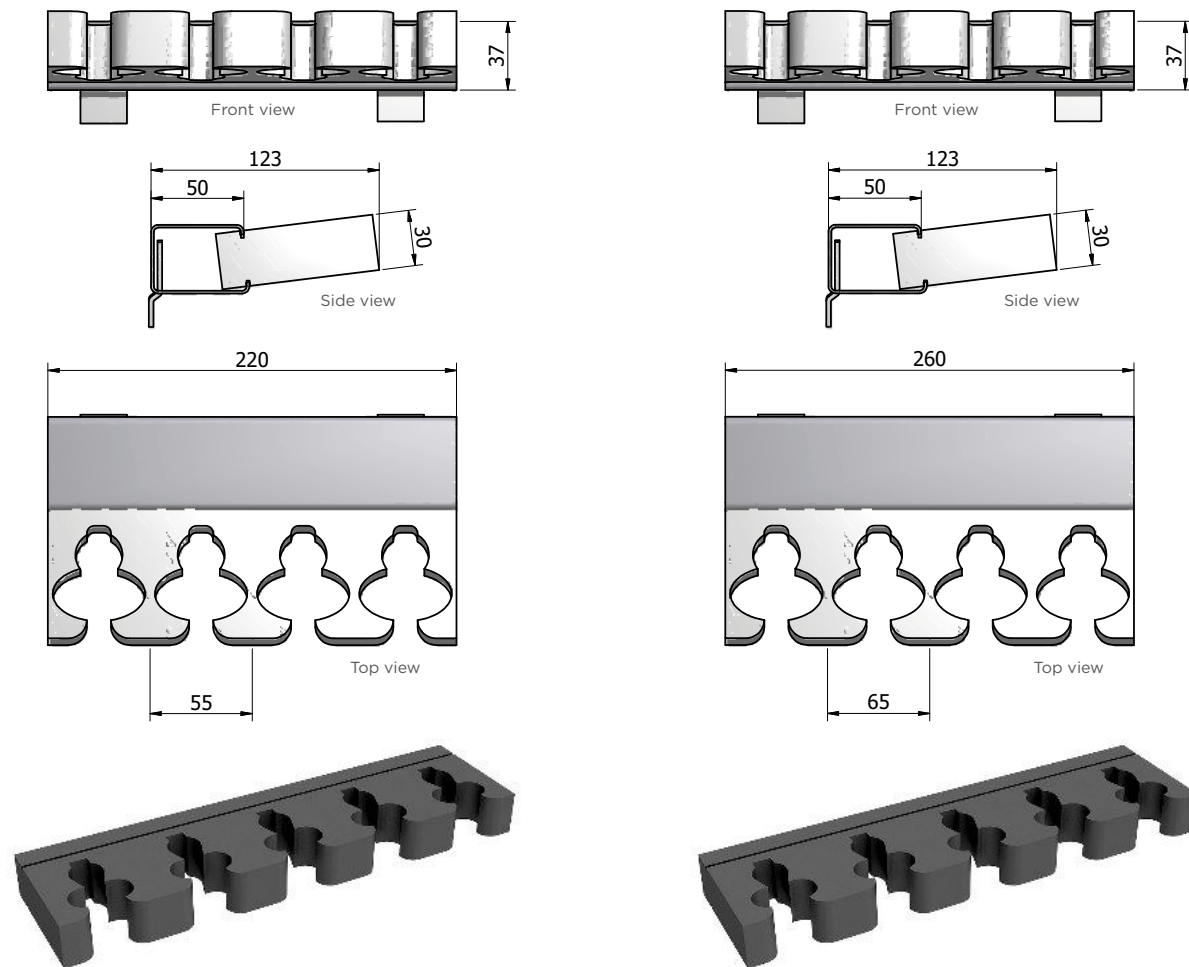


Foam gun holder with 65 mm span



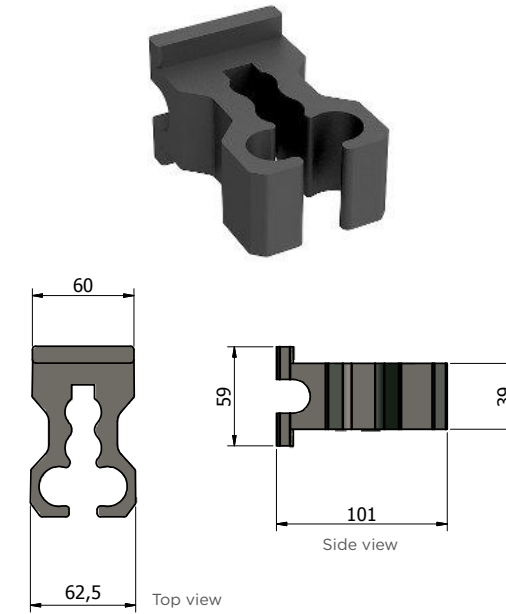
Exemplary assembly of the gun holders on the rail:

⚠ Foam gun holders are assembled as one piece not separately.

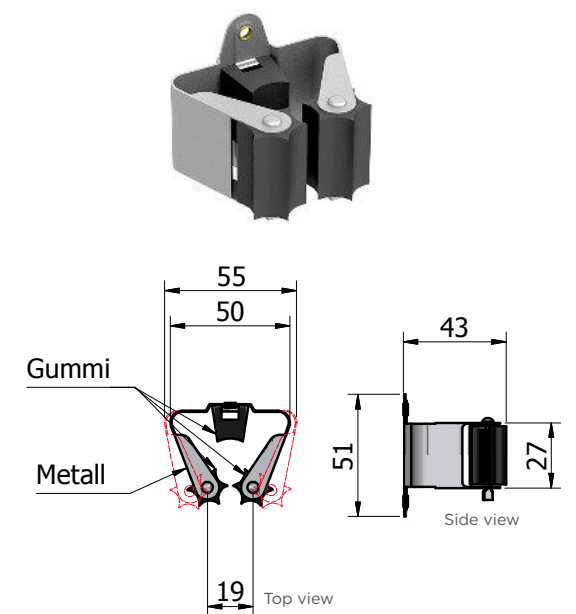


Rubbery gun holders

Rubbery gun holder

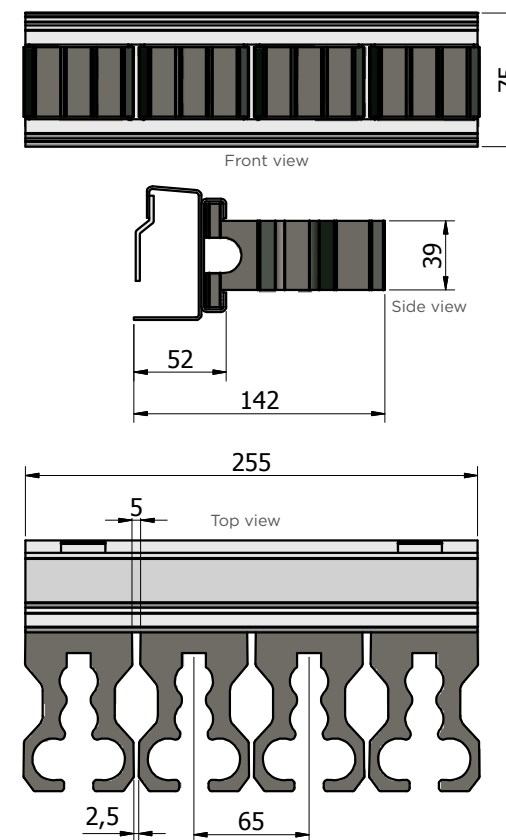


PRAX gun holder



Exemplary assembly of the gun holders on the rail:

⚠ Rubbery gun holders may be assembled on the rail separately, which enables extending of the distance between them. There is a possibility to disassembly particular gun holders. Special rail required.



⚠ Gun holders may be screwed to the rail separately, which enables extending of the distance between them.

Special rail required.

