

Security level: Class S1 according to EN 14450
Security level: A according to VDMA 24992 - Conditions May'95

Each drawer closes with another key lock.
 An option for key locks opened with the same key causes the loss of S1 certificate.

Suitable for the storage of:
 office documents, office equipment

Description
 Münster series - suspension file cabinet.

Body: single-walled body (3 mm thick)
Door: double-walled door construction (60 mm thick)
Locking: 2-way locking bolt system

Standard option
Lock: each drawer with high security key lock I class VdS with two keys (65 mm)
Boltwork handle: knob, protruding 12 mm
Mounting holes: 2 holes in the floor and in backwall
Colour: RAL 7035 (light grey)

Art. No.	Model	Outer dimensions*			Inner dimensions			Door light		Anchoring		Weight	Drawers	Files	Partitions	Volume
		Height mm	Width mm	Depth mm	Height mm	Width mm	Depth mm	Width mm	Depth mm	Bottom number	Backwall number	Kg	Number	Number	Number	Liters
38400	Münster	412	550	600	274	364	519	330	456	2	2	63	1	100	3	52
38401	Münster	696	550	600	274	364	519	330	456	2	2	107	2	200	3	104
38402	Münster	981	550	600	274	364	519	330	456	2	2	151	3	300	3	156
38403	Münster	1266	550	600	274	364	519	330	456	2	2	196	4	400	3	208
38404	Münster	1550	550	600	274	364	519	330	456	2	2	240	5	500	3	260

* excluding hinges, handles and fittings

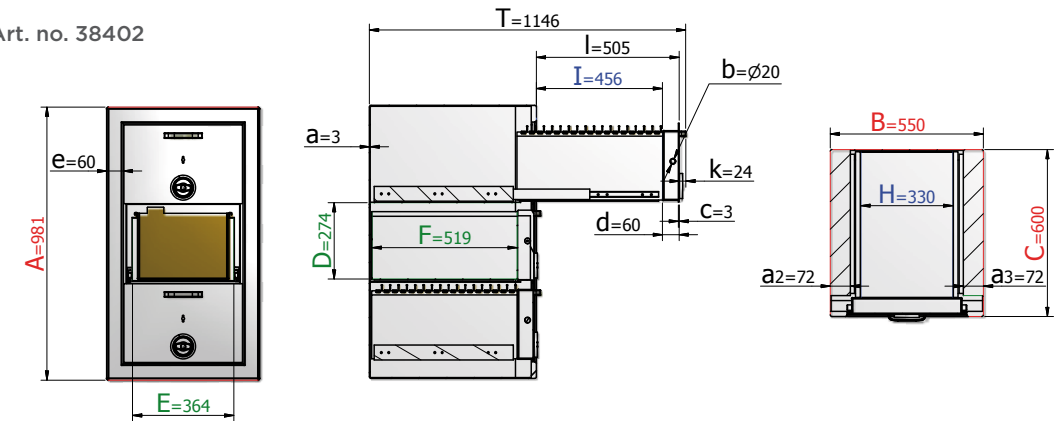


Body: single-walled body (3 mm thick)



Door: double-walled door construction (60 mm thick)

Art. no. 38402



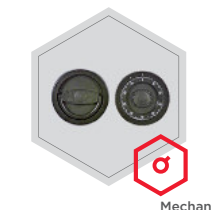
Closure options

Standard option

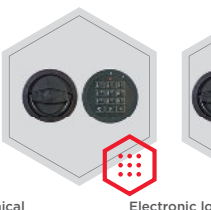


Key lock

Options available against surcharge



Mechanical code lock



Electronic lock



Electronic lock with mechanical emergency

Accessories available against surcharge



Drawers keyed alike



All information concerning weight, color and dimensions are noncommittal and subject to errors and changes. Minor deviations are conditional on the production process. Technical changes, modifications and printing errors reserved. Safes may be top-heavy, during commissioning, please exercise appropriate caution in accordance with the installation guide. Pictograms are not technical description of the product.