

Model München Freising



Security level: Class I according to EN 1143-1

SPECIAL FEATURE - safe equipped with 200 mm high inner safe (excl. art. no 56300) and adjustable shelf with long rifle cut-out.

Suitable for the storage of:

- gun
- ammunition
- office documents, office equipment
- valuables

Description

München Freising series - High security gun safes.

Body: multi-walled body (38 mm thick)

Door: multi-walled door construction (84 mm thick)

Locking: 4-way locking bolt system

Standard option

Lock: high security key lock I class VdS with two keys (95 mm)

Boltwork handle: flat handle, faced with the door

Hinges: internal

Door opening angle: 90°

Mounting holes: 2 hole in the floor

Colour: RAL 7035 (light grey)

Model München Freising

| Art. No. | Model | Outer dimensions* | | | Inner dimensions | | | Door light | | Anchoring | | Weight Kg | Shelves Number | Weapon brackets Number | Internal safe Height mm |
|----------|------------------|-------------------|-------------|-------------|------------------|-------------|-------------|--------------|-------------|------------------|--------------------|--------------|-------------------|------------------------------|----------------------------------|
| | | Height mm | Width mm | Depth mm | Height mm | Width mm | Depth mm | Height mm | Width mm | Bottom number | Backwall number | | | | |
| 56300 | München Freising | 1350 | 496 | 500 | 1259 | 424 | 346 | 1244 | 318 | 2 | - | 280 | 1** | 7 | - |
| 56301 | München Freising | 1536 | 496 | 560 | 1263 | 424 | 406 | 1430 | 318 | 2 | - | 325 | 1** | 7 | 200 |
| 56302 | München Freising | 1536 | 736 | 560 | 1263 | 664 | 406 | 1430 | 558 | 2 | - | 400 | 1** | 11 | 200 |
| 56303 | München Freising | 1836 | 736 | 560 | 1563 | 664 | 406 | 1730 | 558 | 2 | - | 510 | 1** | 11 | 200 |

* excluding hinges, handles and fittings ** with long rifle cut-out



Body: multi-walled body (38 mm thick)



Door: multi-walled door construction (84 mm thick)

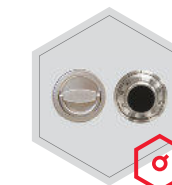
Closure options

Standard option



Key lock

Options available against surcharge



Mechanical code lock

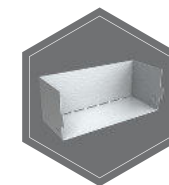


Electronic lock

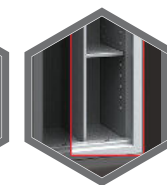


Electronic lock with mechanical emergency

Accessories available against surcharge



Storage tray

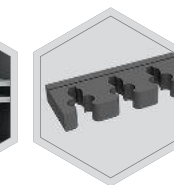


Partition wall with shelves

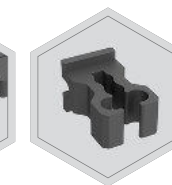
Alternative options



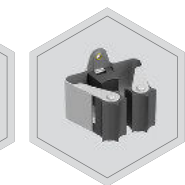
Left door



Gun holder (65 mm)



Rubbery gun holder



PRAX gun holder

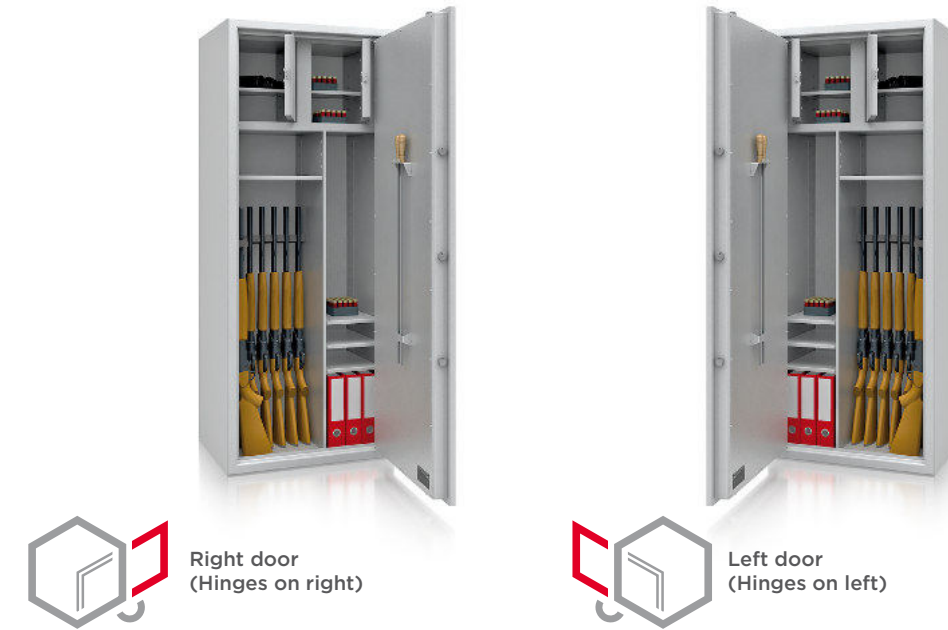


All information concerning weight, color and dimensions are noncommittal and subject to errors and changes. Minor deviations are conditional on the production process. Technical changes, modifications and printing errors reserved. Safes may be top-heavy, during commissioning, please exercise appropriate caution in accordance with the installation guide. Pictograms are not technical description of the product.

The image depicts a sample of a gun safe - **St.Gallen 56402** with additional equipment.



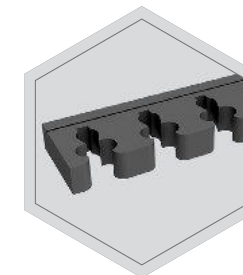
With options **left door** - internal equipment will be located opposite to the standard - the so-called mirror reflection



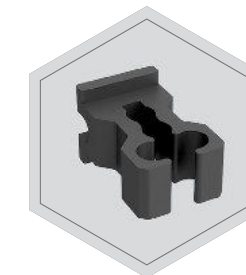
Option with **partition wall** - the amount of gun holders and the location of the shelves is needed



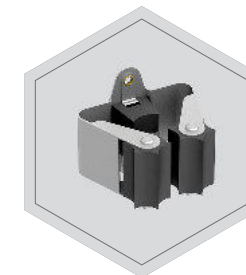
Gun holder



Gun holders with 55 mm span



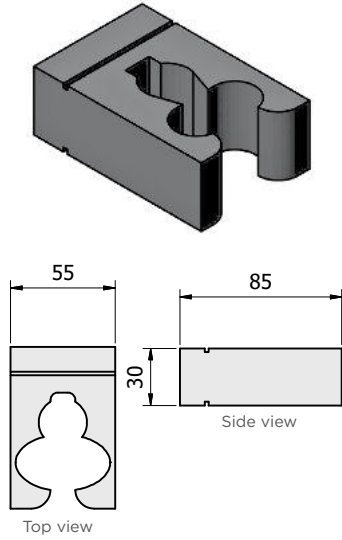
Rubbery gun holders



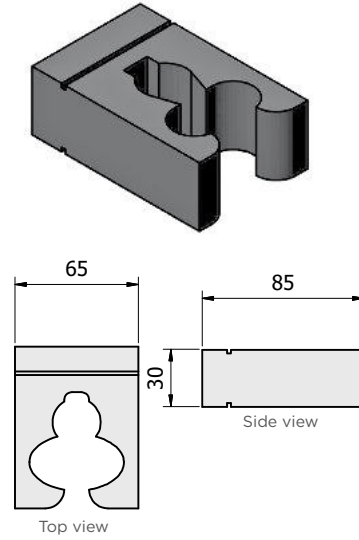
PRAX gun holders

Foam gun holders

Standard foam gun holder with 55 mm span

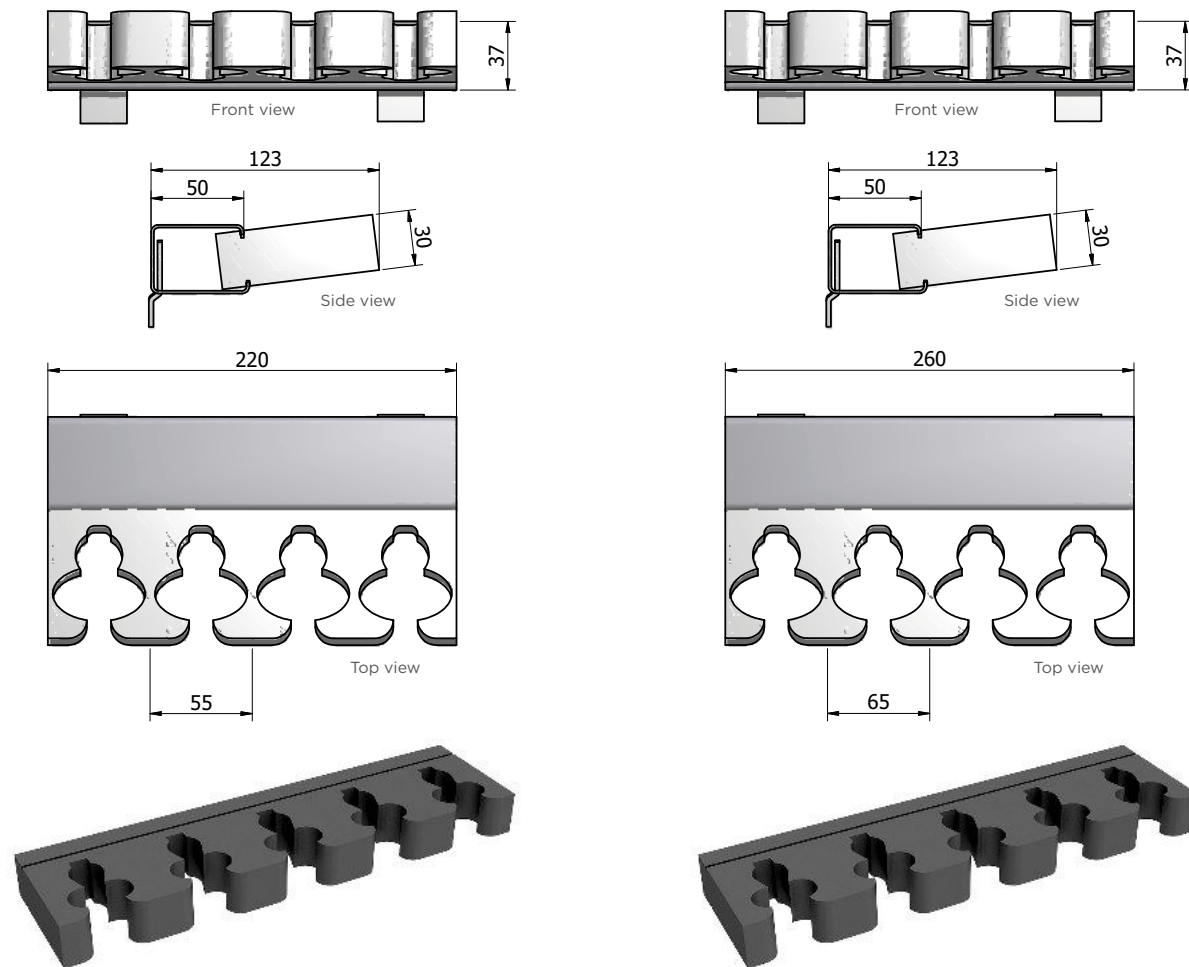


Foam gun holder with 65 mm span



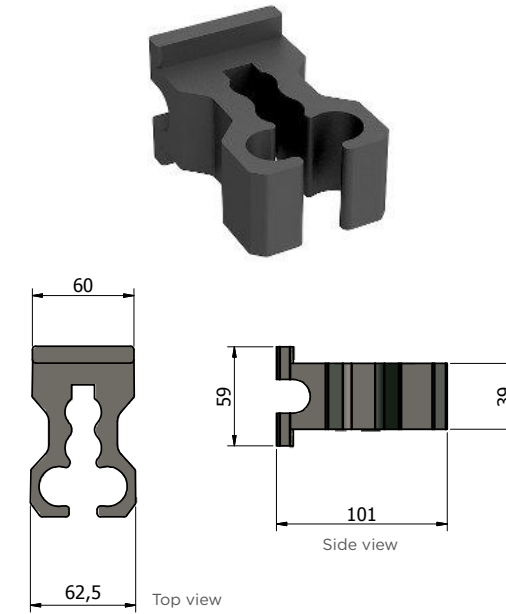
Exemplary assembly of the gun holders on the rail:

⚠ Foam gun holders are assembled as one piece not separately.

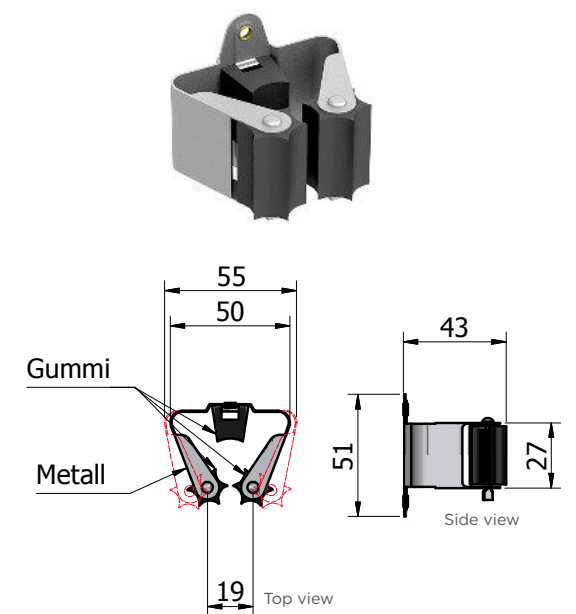


Rubbery gun holders

Rubbery gun holder

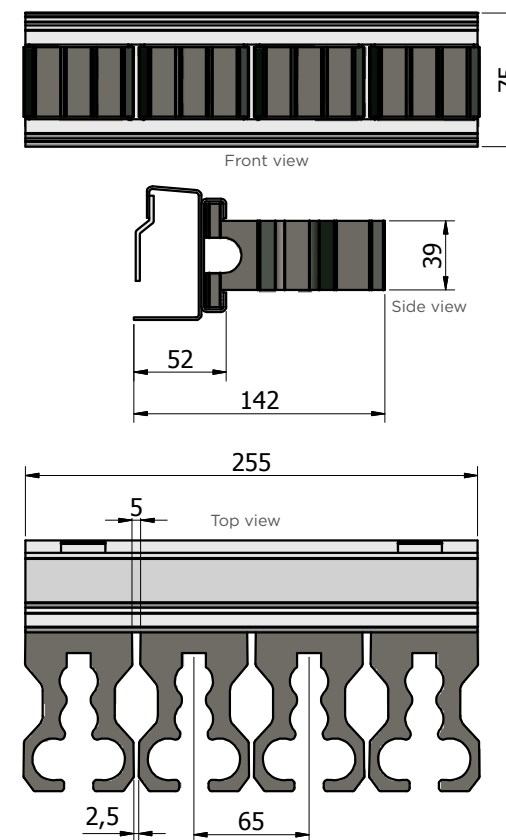


PRAX gun holder



Exemplary assembly of the gun holders on the rail:

⚠ Rubbery gun holders may be assembled on the rail separately, which enables extending of the distance between them. There is a possibility to disassembly particular gun holders. Special rail required.



⚠ Gun holders may be screwed to the rail separately, which enables extending of the distance between them.

Special rail required.

