

Model  
**Leverkusen-Pulheim**



**Security level: Class S2 according to EN 14450**  
**Security level: B according to VDMA 24992 - Conditions May '95**  
**Fire rating: Fire-protected safes according to EN 1047-1 S60P**

**SPECIAL FEATURE** - safe equipped with an adjustable shelf.

Suitable for the storage of:

- gun
- ammunition
- office documents

**Description**  
 Leverkusen-Pulheim series - the gun safes with one hour protection from fire S 60 P.

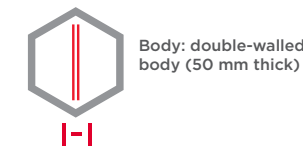
**Body:** double-walled body (50 mm thick)  
**Door:** multi-walled door construction (95 mm thick)  
**Locking:** 4-way locking bolt system - incl. fix bolts on the hinge side

**Standard option**  
**Lock:** high security key lock I class VdS with two keys (120 mm)  
**Boltwork handle:** handle, protruding 60mm  
**Hinges:** external  
**Door opening angle:** 180°  
**Mounting holes:** 2 holes in the floor  
**Colour:** RAL 7035 (light grey)

Model  
**Leverkusen-Pulheim**

Art. No.	Model	Outer dimensions*			Inner dimensions			Door light		Anchoring		Weight Kg	Shelves Number	Weapon brackets Number	Internal safe Height mm
		Height mm	Width mm	Depth mm	Height mm	Width mm	Depth mm	Height mm	Width mm	Bottom number	Backwall number				
57000	Leverkusen-Pulheim	1322	704	471	1221	604	339	1206	569	2	-	305	1	10	-
57001	Leverkusen-Pulheim	1507	704	471	1406	604	339	1391	569	2	-	340	1	10	-
57002	Leverkusen-Pulheim	1322	547	471	1221	447	295	1206	412	2	-	270	1	8	-
57003	Leverkusen-Pulheim	1400	650	471	1299	550	339	1284	515	2	-	285	1	9	-
57004	Leverkusen-Pulheim	1507	547	471	1406	447	339	1391	412	2	-	315	1	8	-

\* excluding hinges, handles and fittings

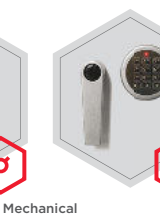


**Closure options**

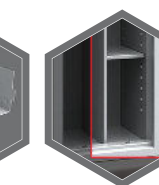
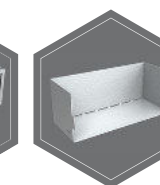
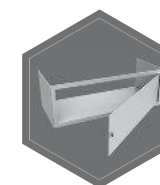
Standard option



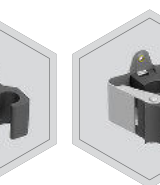
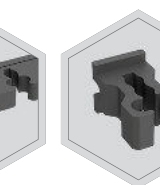
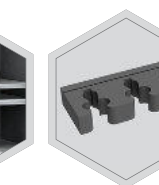
Options available against surcharge



**Accessories available against surcharge**



**Alternative options**

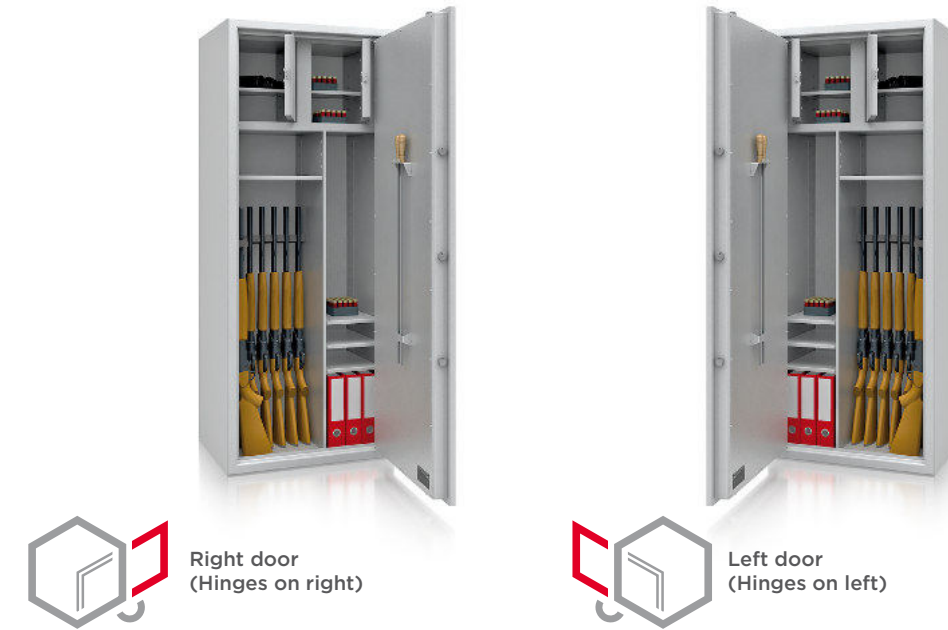


All information concerning weight, color and dimensions are noncommittal and subject to errors and changes. Minor deviations are conditional on the production process. Technical changes, modifications and printing errors reserved. Safes may be top-heavy, during commissioning, please exercise appropriate caution in accordance with the installation guide. Pictograms are not technical description of the product.

The image depicts a sample of a gun safe - **St.Gallen 56402** with additional equipment.



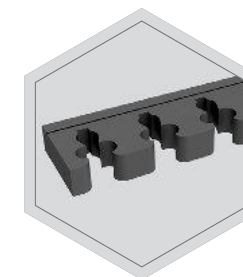
With options **left door** - internal equipment will be located opposite to the standard - the so-called mirror reflection



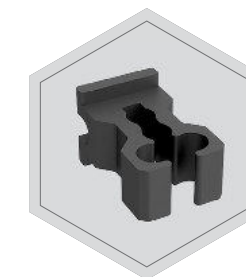
Option with **partition wall** - the amount of gun holders and the location of the shelves is needed



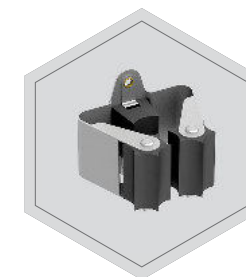
Gun holder



Gun holders with 55 mm span



Rubbery gun holders

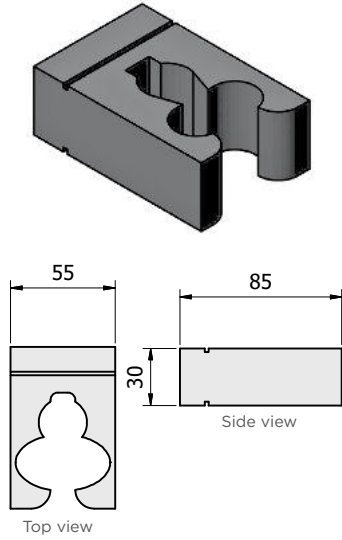


PRAX gun holders

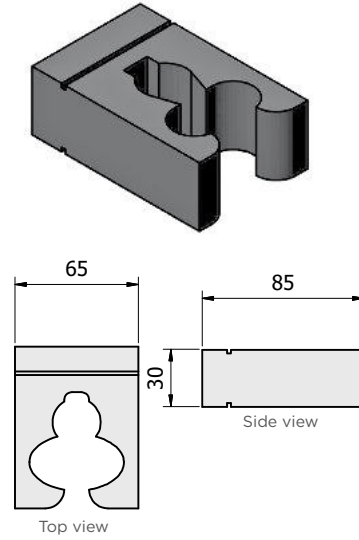


### Foam gun holders

Standard foam gun holder with 55 mm span

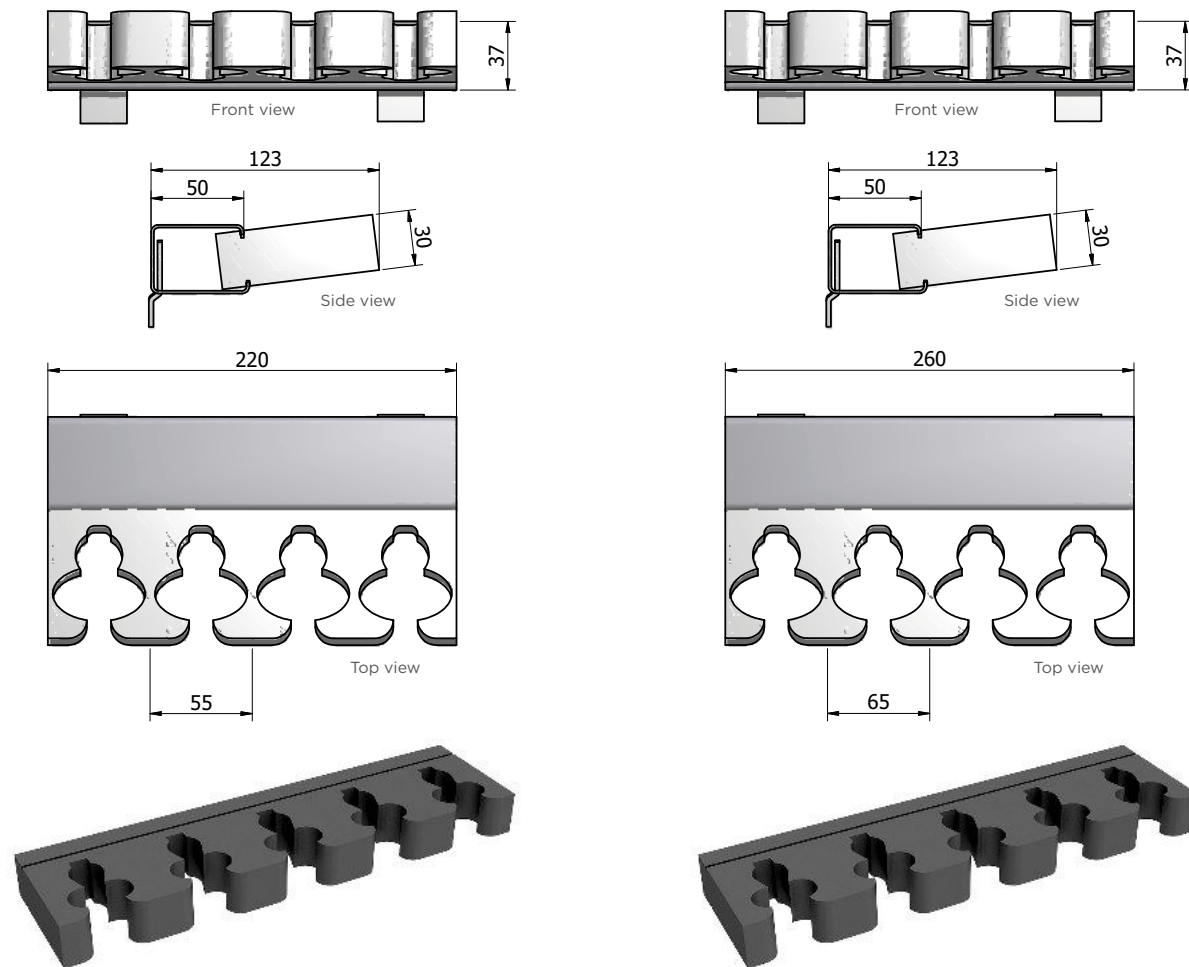


Foam gun holder with 65 mm span



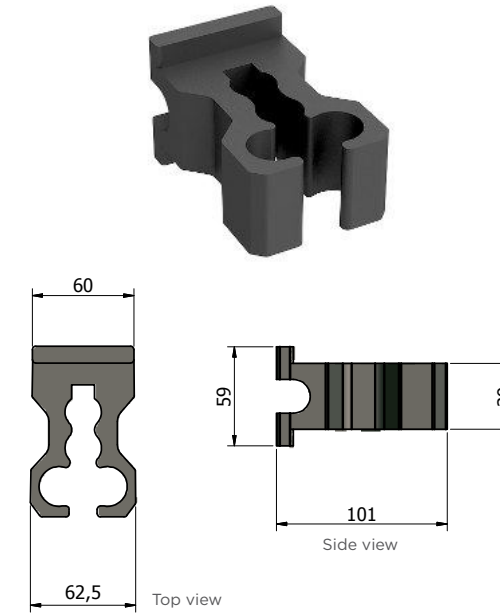
Exemplary assembly of the gun holders on the rail:

⚠ Foam gun holders are assembled as one piece not separately.

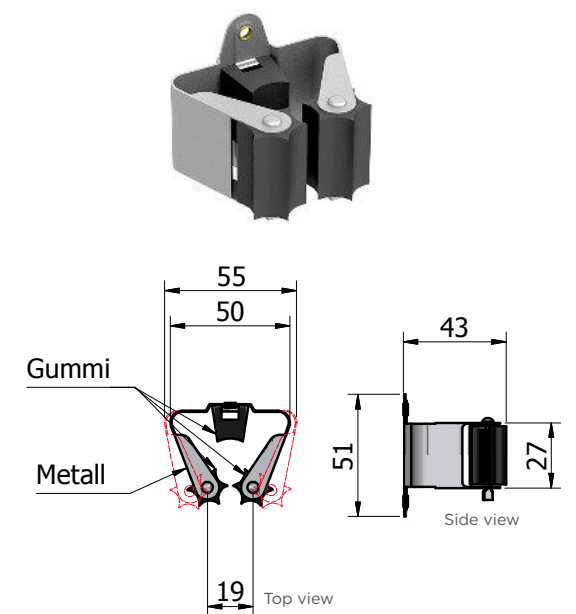


### Rubbery gun holders

Rubbery gun holder

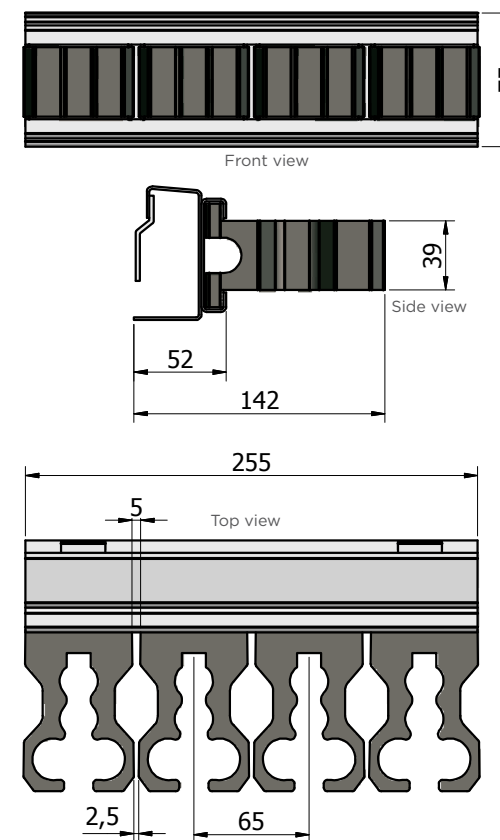


PRAX gun holder



Exemplary assembly of the gun holders on the rail:

⚠ Rubbery gun holders may be assembled on the rail separately, which enables extending of the distance between them. There is a possibility to disassembly particular gun holders. Special rail required.



⚠ Gun holders may be screwed to the rail separately, which enables extending of the distance between them.

Special rail required.

