

Model  
**Leipzig**



Security level: Class S1 according to EN 14450  
Security level: A according to VDMA 24992 -  
Conditions May '95

**SPECIAL FEATURE** - Key cabinets with a system, which enables easy and individual hooks arrangements. There is a possibility to arrange hooks of different length (3 types). The hooks are not a part of standard equipment. Index holder in Standard.

Suitable for the storage of:  
🔑 keys

**Description**  
Leipzig series - key safes.

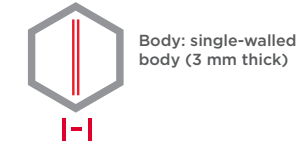
**Body:** single-walled body (3 mm thick)  
**Door:** double-walled door (57 mm thick)  
**Locking:** 4-way locking bolt system - incl. fix bolts on the hinge side

**Standard option**  
**Lock:** high security key lock I class VdS with two keys (65 mm)  
**Boltwork handle:** knob, protruding 12 mm  
**Hinges:** external  
**Door opening angle:** 180°  
**Mounting holes:** 2 holes in the floor and back wall  
**Colour:** RAL 7035 (light grey)

Model  
**Leipzig**

Art. No.	Model	Outer dimensions*			Inner dimensions			Door light		Anchoring		Hooks in total	Weight
		Height mm	Width mm	Depth mm	Height mm	Width mm	Depth mm	Height mm	Width mm	Bottom number	Backwall number	Number	Kg
13100	Leipzig	350	350	200	344	344	123	288	288	2	2	~	20
13101	Leipzig	550	500	200	544	494	123	488	438	2	2	~	37
13102	Leipzig	800	500	200	794	494	123	738	438	2	2	~	50
13103	Leipzig	1000	600	200	994	594	123	938	538	2	2	~	70
13104	Leipzig	1200	600	200	1194	594	123	1138	538	2	2	~	85
13105	Leipzig	1500	600	200	1494	594	123	1438	538	2	2	~	100
13106	Leipzig **	1000	1000	200	994	994	123	938	938	2	2	~	102
13107	Leipzig **	1500	1000	200	1494	994	123	1438	938	2	2	~	159
13108	Leipzig **	1800	1000	200	1794	994	123	1738	938	2	2	~	175

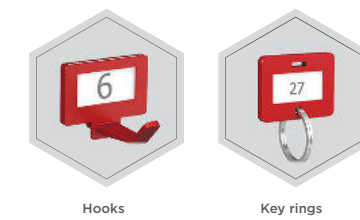
\* excluding hinges, handles and fittings \*\* 2-door



**Closure options**



**Accessories available against surcharge**



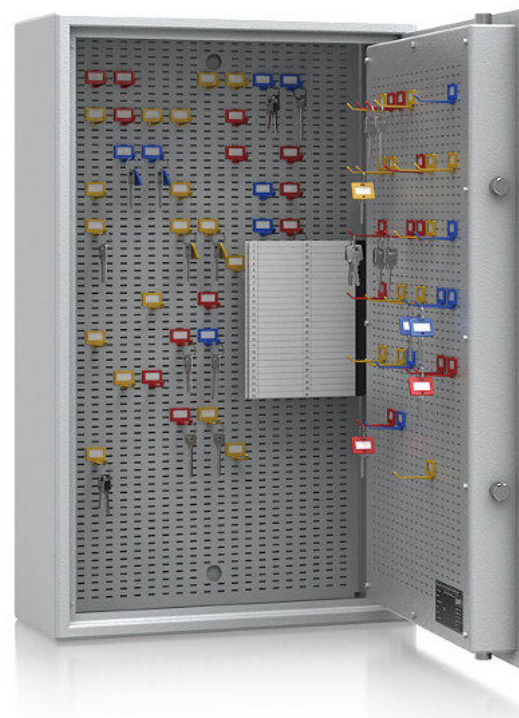
**Colour options without surcharge**






⚠ All information concerning weight, color and dimensions are noncommittal and subject to errors and changes. Minor deviations are conditional on the production process. Technical changes, modifications and printing errors reserved. Safes may be top-heavy, during commissioning, please exercise appropriate caution in accordance with the installation guide. Pictograms are not technical description of the product.

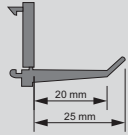
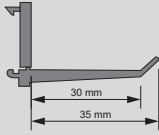
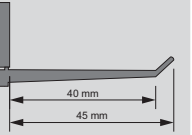






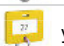






The picture shows an example of a key safe - model Leipzig Art. no. 13102.

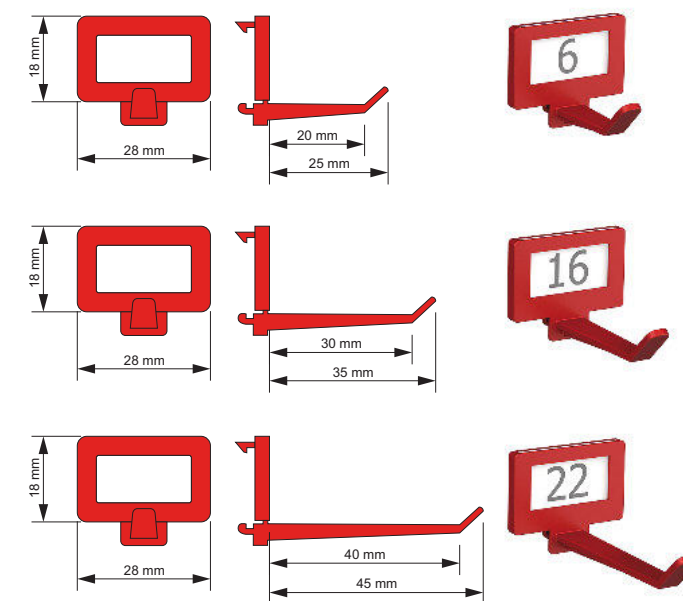
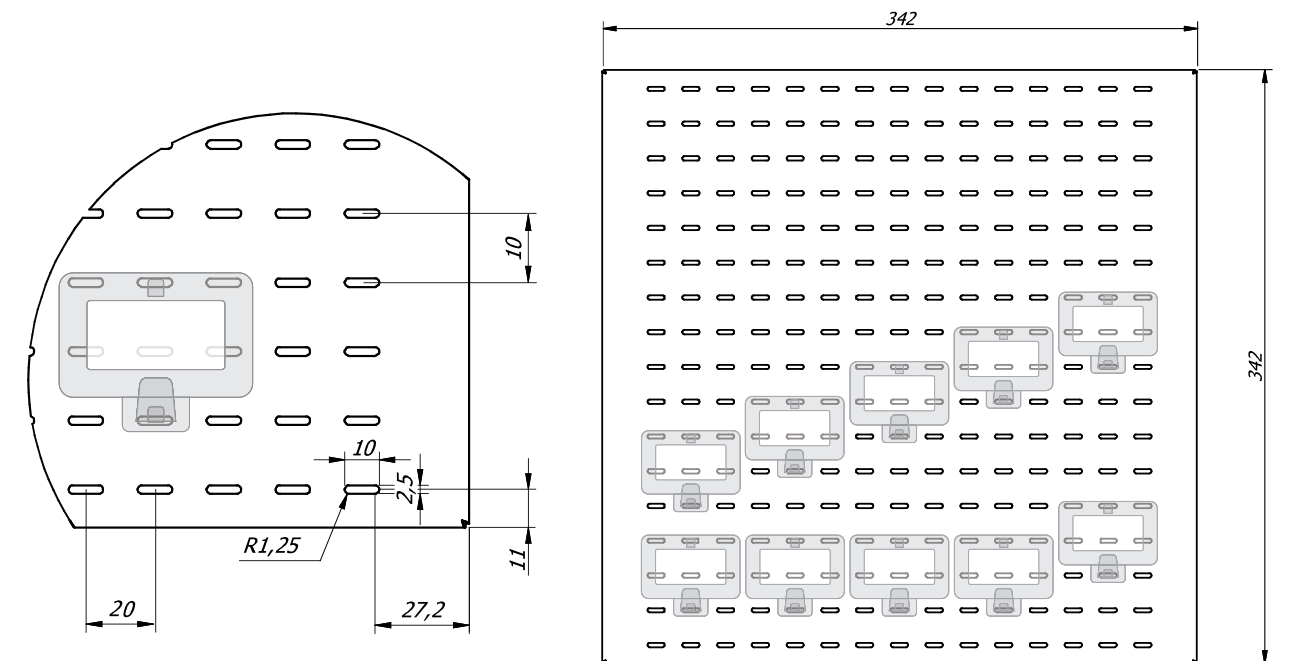


Art. No.	Model	Hook bars	Hooks on hook bar	Partition wall	Hooks in total
					
		Number	Number	Number	Number
13100	Leipzig	-	-	-	50 (max**)
13101	Leipzig	-	-	-	150 (max**)
13102	Leipzig	-	-	-	200 (max**)
13103	Leipzig	-	-	-	300 (max**)
13104	Leipzig	-	-	-	350 (max**)
13105	Leipzig	-	-	-	450 (max**)
13106	Leipzig	-	-	-	550 (max**)
13107	Leipzig	-	-	-	800 (max**)
13108	Leipzig	-	-	-	1000 (max**)

Hook bar and key ring options against surcharge.

					
	20 mm	30 mm	40 mm		
	25 mm	35 mm	45 mm		
 blue	Art. 02532	Art. 02527	Art. 02520	 blue	Art. 15023.00
 green	Art. 02531	Art. 02526	Art. 02524	 green	Art. 15023.01
 yellow	Art. 02530	Art. 02525	Art. 02523	 yellow	Art. 15023.02
 red	Art. 02533	Art. 02528	Art. 02521	 red	Art. 15023.03
 black	Art. 02534	Art. 02529	Art. 02522	 black	Art. 15023.04

Hooks assembly system.



Hook assembly instructions.

