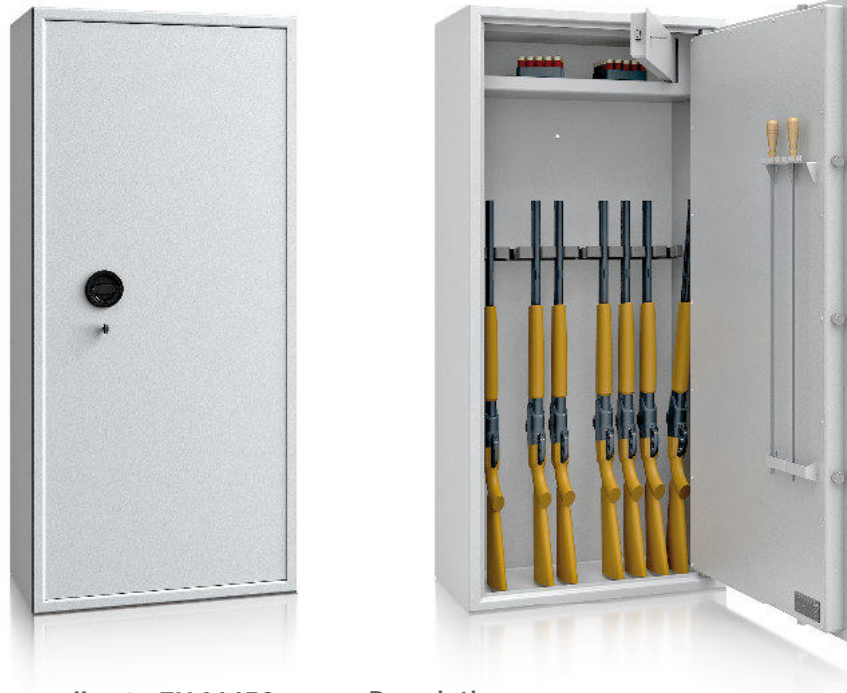




Model  
**Kempton**



**Security level: Class S1 according to EN 14450**  
**Security level: A according to VDMA 24992 - Conditions May '95**

**SPECIAL FEATURE** - safe equipped with 220 mm high inner safe and ramrod holders on the inner door cover. The inner safe with certified key lock class A (inner safe construction compatible with class B according to VDMA).

Suitable for the storage of:  
 long, short weapons  
 ammunition

**Description**  
Kempton series - gun safes, gun storage space 1270 mm height.

**Body:** single-walled body (3 mm thick)  
**Door:** double-walled door construction (52 mm thick)  
**Locking:** 4-way locking bolt system - incl. overlapping profile on the hinge side

**Standard option**  
**Lock:** high security key lock I class VdS with two keys (65 mm)  
**Boltwork handle:** knob, protruding 12 mm  
**Hinges:** external  
**Door opening angle:** 90°  
**Mounting holes:** 2 holes in the floor and back wall  
**Colour:** RAL 7035 (light grey)

Model  
**Kempton**

Art. No.	Model	Outer dimensions*			Inner dimensions			Door light		Anchoring		Weight Kg	Shelves Number	Weapon brackets Number	Internal safe Height mm
		Height mm	Width mm	Depth mm	Height mm	Width mm	Depth mm	Height mm	Width mm	Bottom number	Backwall number				
52000	Kempton	1500	350	360	1278	344	256	1410	175	2	2	95	-	5	220 **
52001	Kempton	1500	500	360	1278	494	256	1410	325	2	2	120	-	7	220 **
52002	Kempton	1500	560	360	1278	554	256	1410	385	2	2	128	-	9	220 **
52003	Kempton	1500	700	360	1278	694	256	1410	525	2	2	150	-	10	220 **

\* excluding hinges, handles and fittings \*\* the inner safe with certified key lock



Body: single-walled body (3 mm thick)



Door: double-walled door construction (52 mm thick)

**Closure options**

Standard option



Key lock

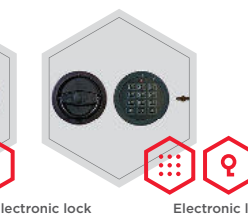
Options available against surcharge



Mechanical code lock

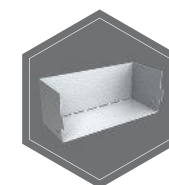


Electronic lock

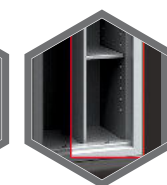


Electronic lock with mechanical emergency

**Accessories available against surcharge**



Storage tray

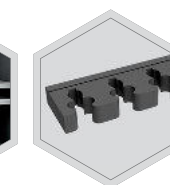


Partition wall with shelves

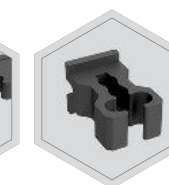
**Alternative options**



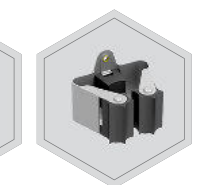
Left door



Gun holder (65 mm)



Rubbery gun holder



PRAX gun holder



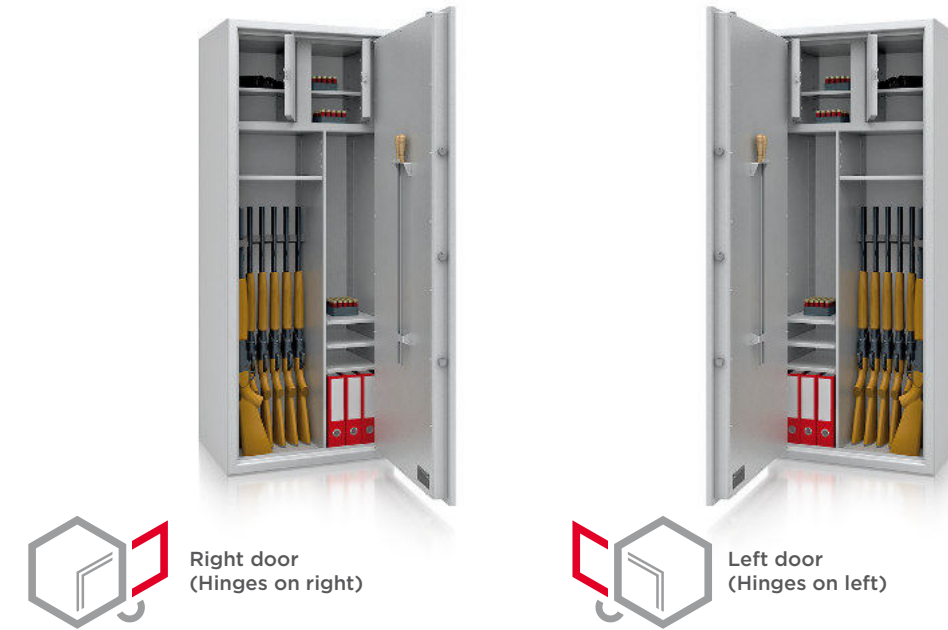
 All information concerning weight, color and dimensions are noncommittal and subject to errors and changes. Minor deviations are conditional on the production process. Technical changes, modifications and printing errors reserved. Safes may be top-heavy, during commissioning, please exercise appropriate caution in accordance with the installation guide. Pictograms are not technical description of the product.



The image depicts a sample of a gun safe - **St.Gallen 56402** with additional equipment.



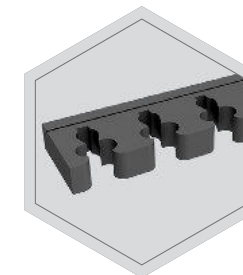
With options **left door** - internal equipment will be located opposite to the standard - the so-called mirror reflection



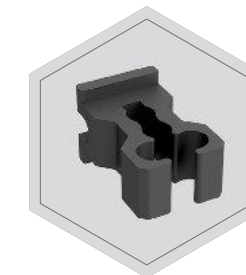
Option with **partition wall** - the amount of gun holders and the location of the shelves is needed



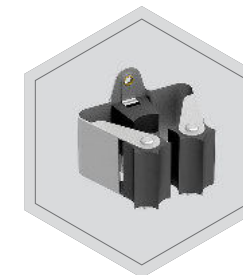
Gun holder



Gun holders with 55 mm span



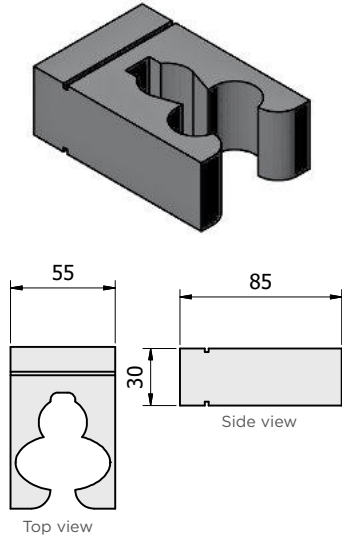
Rubbery gun holders



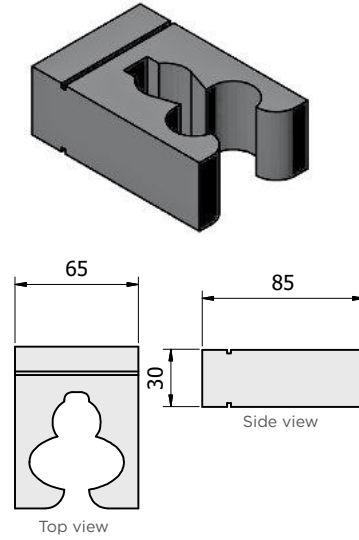
PRAX gun holders

### Foam gun holders

Standard foam gun holder with 55 mm span

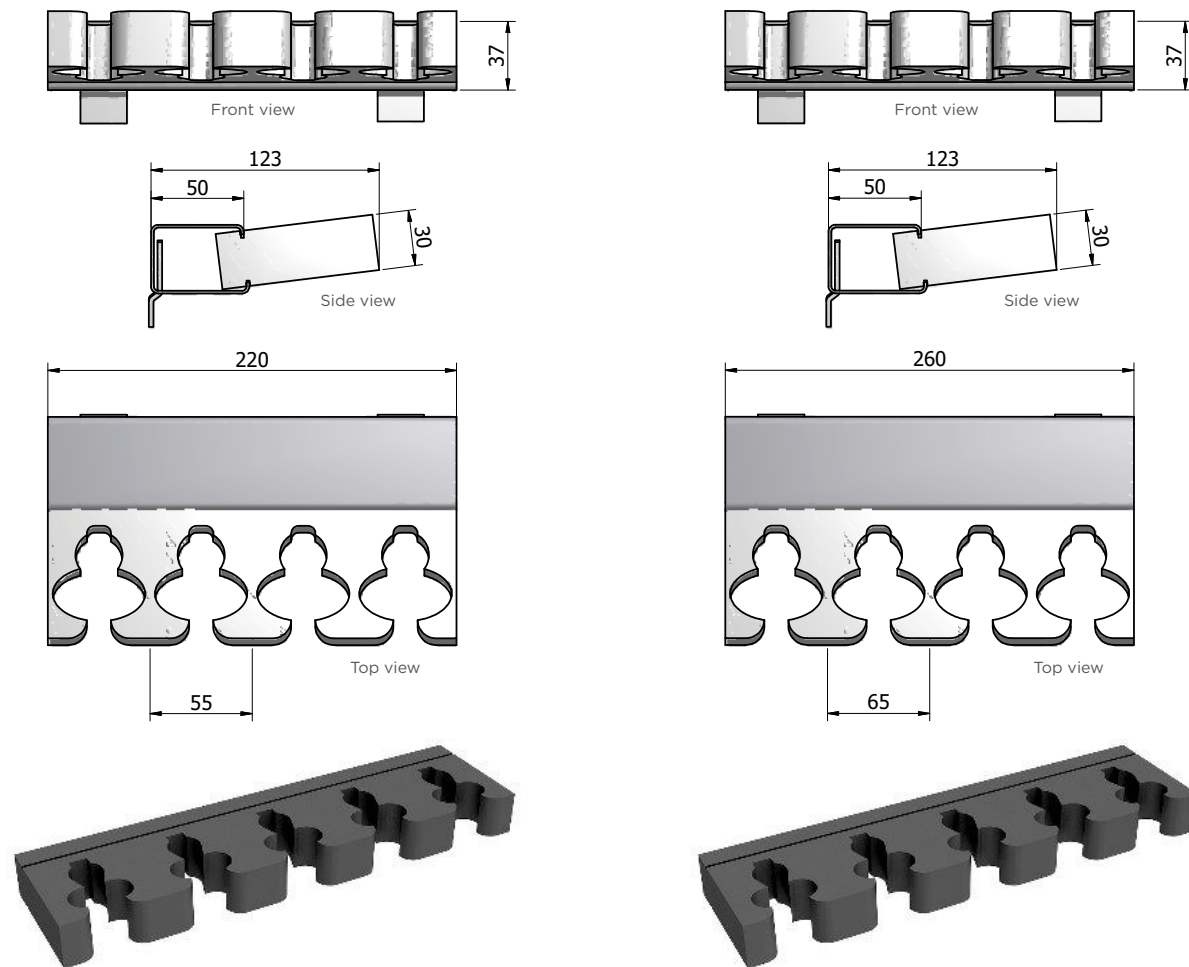


Foam gun holder with 65 mm span



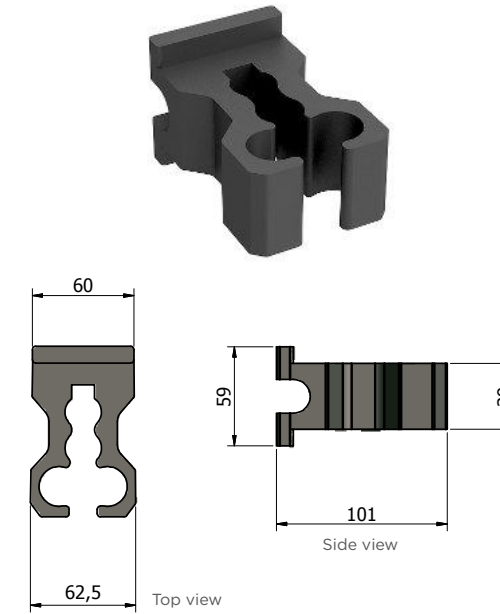
Exemplary assembly of the gun holders on the rail:

⚠ Foam gun holders are assembled as one piece not separately.

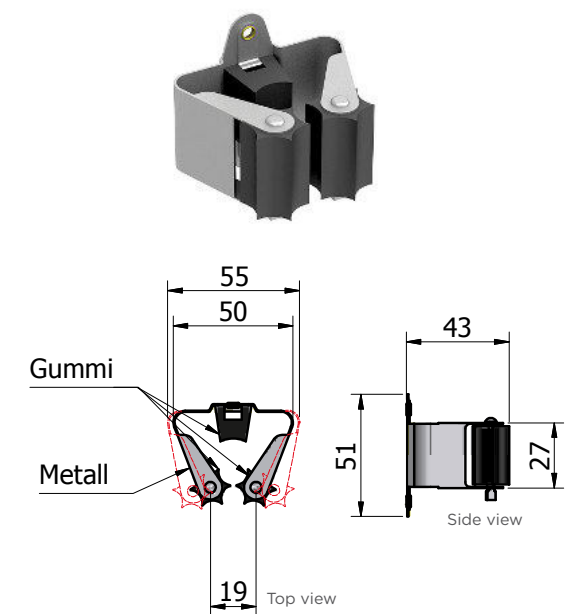


### Rubbery gun holders

Rubbery gun holder

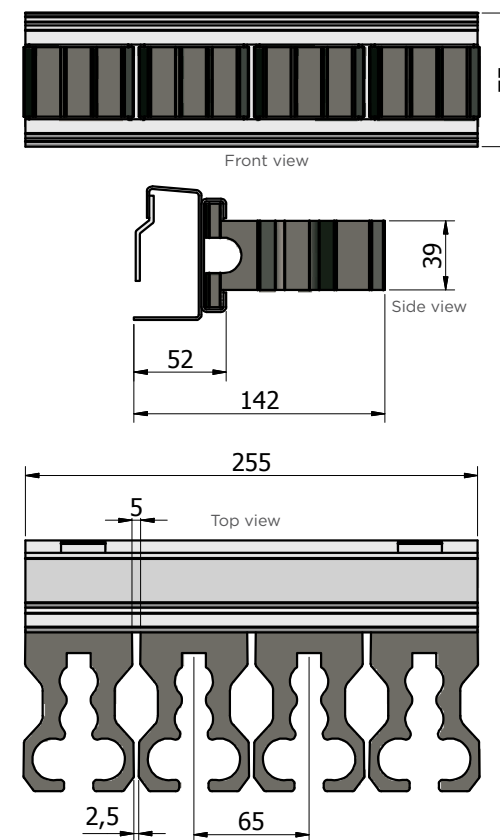


PRAX gun holder



Exemplary assembly of the gun holders on the rail:

⚠ Rubbery gun holders may be assembled on the rail separately, which enables extending of the distance between them. There is a possibility to disassembly particular gun holders. Special rail required.



⚠ Gun holders may be screwed to the rail separately, which enables extending of the distance between them.

Special rail required.

