

Model
Karlsruhe-Durlach



Security level: Class I according to EN 1143-1
Fire rating: Fire-protected safes according to EN 15659 LFS 30 PS

SPECIAL FEATURE - safe equipped with 150 / 370 mm high inner safe (depending on the model).

Suitable for the storage of:

- long, short weapons
- ammunition
- office documents
- valuables

Description

Karlsruhe-Durlach series - High security gun safes with light fire - protection.

Body: multi-walled body (65 mm thick)
Door: multi-walled door construction (94 mm thick)
Locking: 4-way locking bolt system - incl. fix bolts on the hinge side

Standard option

Lock: high security key lock I class VdS with two keys (120 mm)
Boltwork handle: handle, protruding 60 mm
Hinges: external
Door opening angle: 180°
Mounting holes: 1 hole in the floor
Colour: RAL 7035 (light grey)

Model
Karlsruhe-Durlach

Art. No.	Model	Outer dimensions*			Inner dimensions			Door light		Anchoring		Weight	Shelves	Weapon brackets	Internal safe
		Height mm	Width mm	Depth mm	Height mm	Width mm	Depth mm	Height mm	Width mm	Bottom number	Backwall number	Kg	Number	Number	Height mm
55800	Karlsruhe-Durlach	1525	705	527	1229	574	327	1379	534	2	-	236	-	10	150
55801	Karlsruhe-Durlach	1875	705	527	1359	574	327	1729	534	2	-	284	-	10	370 ***
55802	Karlsruhe-Durlach **	1875	955	527	1359	824	327	1729	784	2	-	366	-	14	370 ****
55803	Karlsruhe-Durlach **	1875	1305	527	1359	1174	327	1729	1134	2	-	466	-	21	370 ****

* excluding hinges, handles and fittings ** 2-door *** with adjustable shelf **** double-door inner safe with partition wall; with adjustable shelf



Body: multi-walled body (65 mm thick)



Door: multi-walled door construction (94 mm thick)

Closure options

Standard option

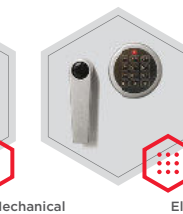


Key lock

Options available against surcharge



Mechanical code lock

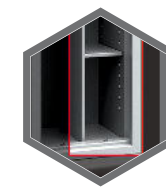


Electronic lock



Electronic lock with mechanical emergency

Accessories available against surcharge

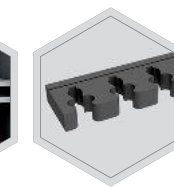


Partition wall with shelves

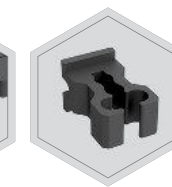
Alternative options



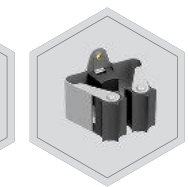
Left door



Gun holder (65 mm)



Rubbery gun holder



PRAX gun holder

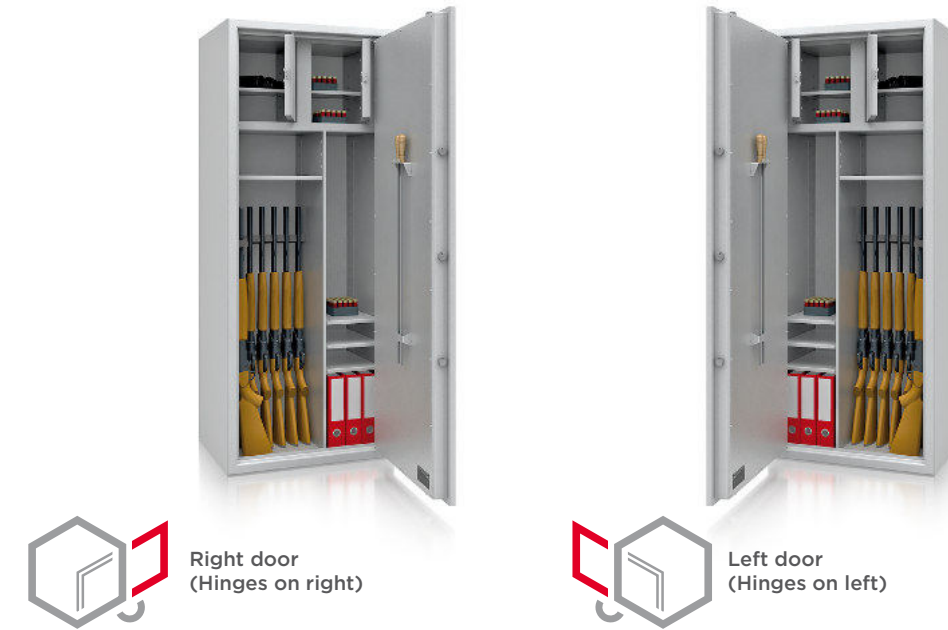


All information concerning weight, color and dimensions are noncommittal and subject to errors and changes. Minor deviations are conditional on the production process. Technical changes, modifications and printing errors reserved. Safes may be top-heavy, during commissioning, please exercise appropriate caution in accordance with the installation guide. Pictograms are not technical description of the product.

The image depicts a sample of a gun safe - **St.Gallen 56402** with additional equipment.



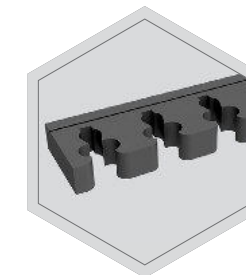
With options **left door** - internal equipment will be located opposite to the standard - the so-called mirror reflection



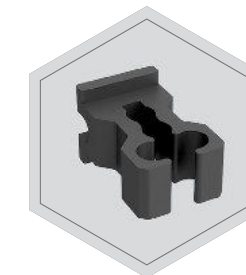
Option with **partition wall** - the amount of gun holders and the location of the shelves is needed



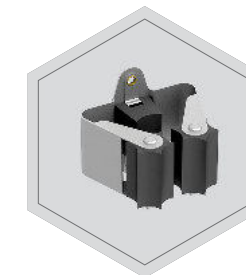
Gun holder



Gun holders with 55 mm span



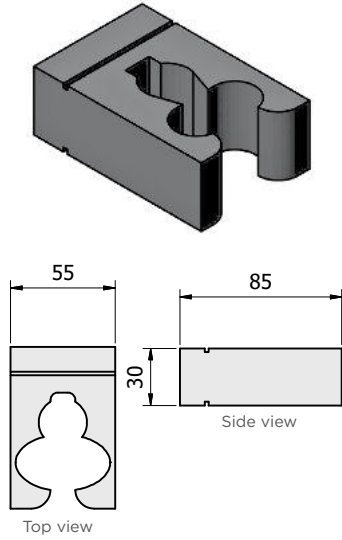
Rubbery gun holders



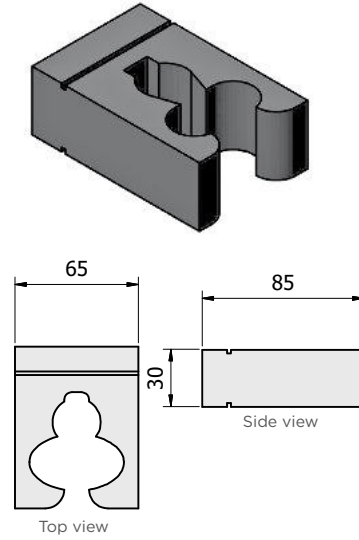
PRAX gun holders

Foam gun holders

Standard foam gun holder with 55 mm span

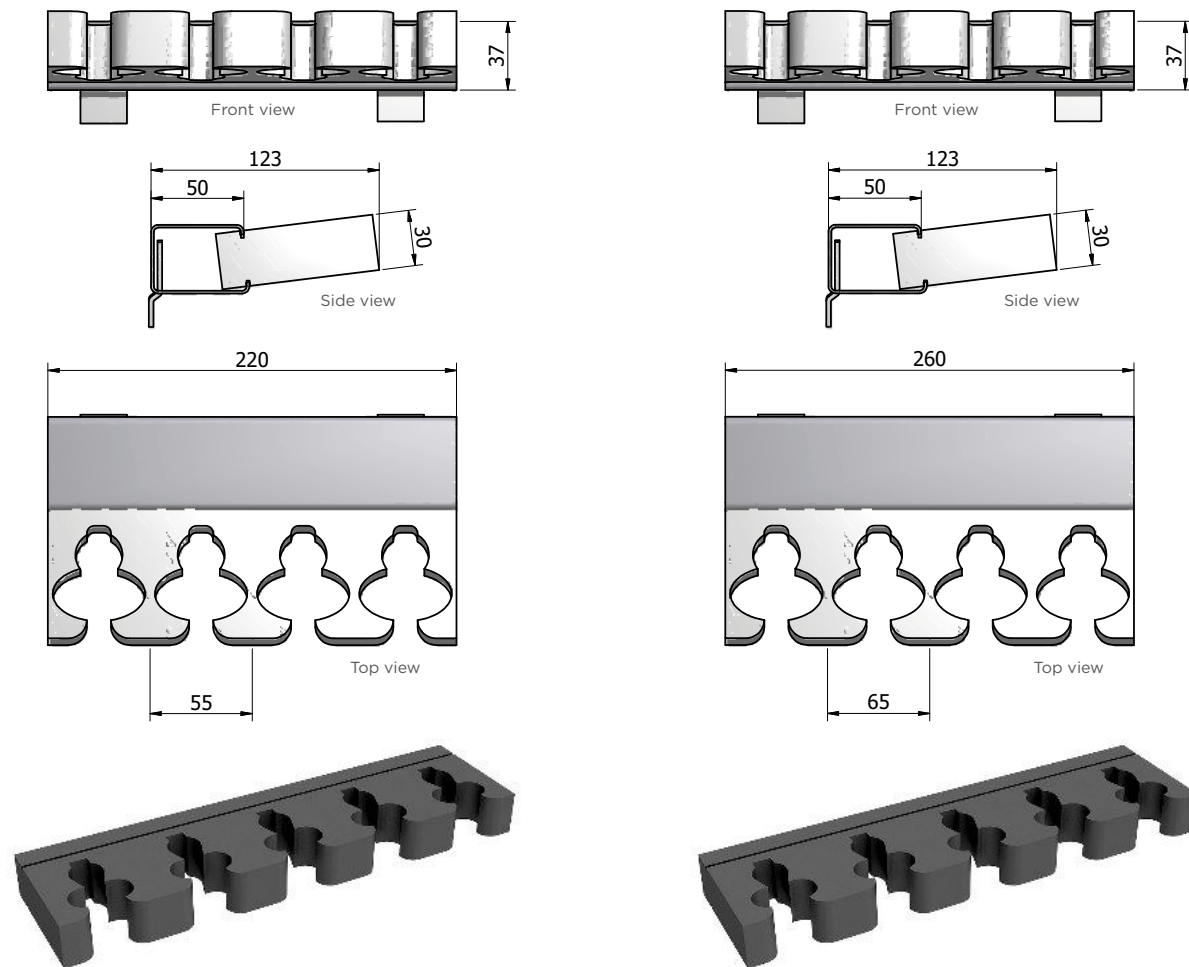


Foam gun holder with 65 mm span



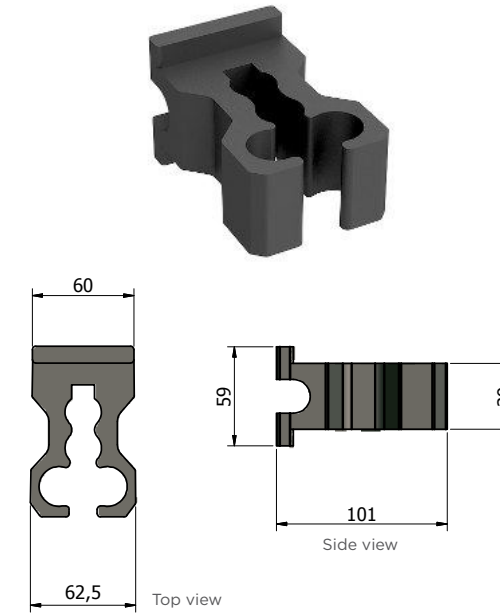
Exemplary assembly of the gun holders on the rail:

⚠ Foam gun holders are assembled as one piece not separately.

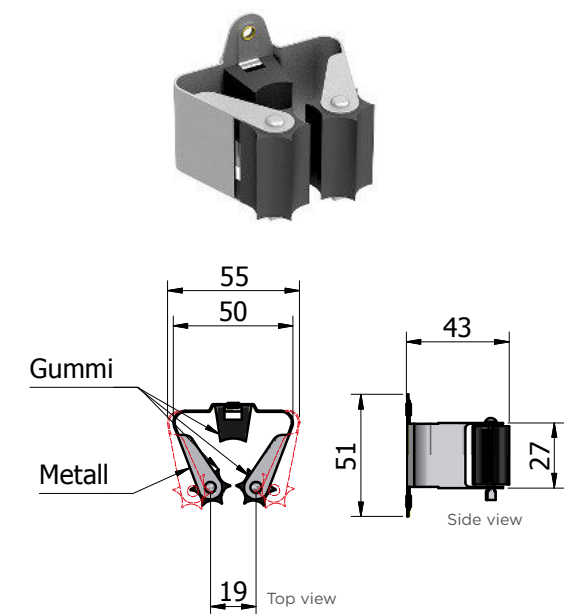


Rubbery gun holders

Rubbery gun holder

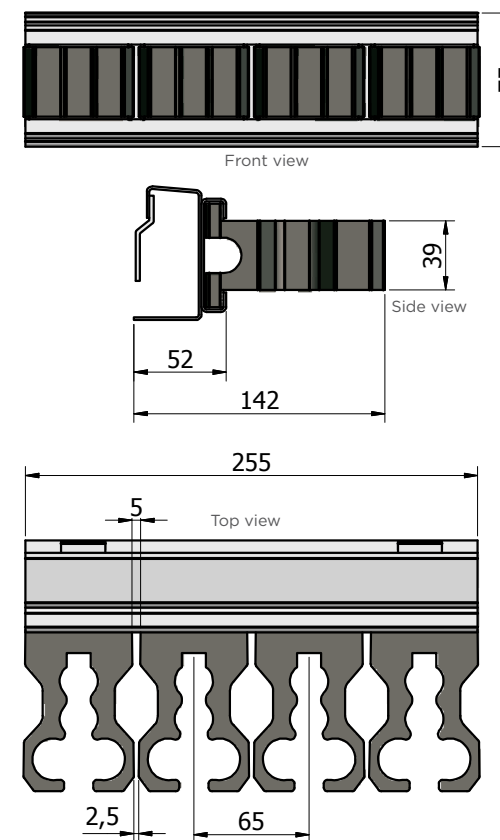


PRAX gun holder



Exemplary assembly of the gun holders on the rail:

⚠ Rubbery gun holders may be assembled on the rail separately, which enables extending of the distance between them. There is a possibility to disassembly particular gun holders. Special rail required.



⚠ Gun holders may be screwed to the rail separately, which enables extending of the distance between them.

Special rail required.

