



Security level: Class S2 according to EN 14450
Security level: B according to VDMA 24992 - Conditions May '95

SPECIAL FEATURE - safe equipped with 200 mm high inner safe and an adjustable shelf in gun side (model 55000 equipped with 150 mm inner safe).

Suitable for the storage of:

- long, short weapons
- ammunition

Description

Inzell series - gun safes, gun storage space 1248.

Body: double-walled body (60 mm thick)
Door: multi-walled door construction (100 mm thick)
Locking: 4-way locking bolt system - incl. overlapping profile on the hinge side

Standard option

Lock: high security key lock I class VdS with two keys (120 mm)
Boltwork handle: handle, protruding 60 mm
Hinges: external
Door opening angle: 180°
Mounting holes: 2 holes in the floor and back wall
Colour: RAL 7035 (light grey)

Art. No.	Model	Outer dimensions*			Inner dimensions			Door light		Anchoring		Weight Kg	Shelves Number	Weapon brackets Number	Internal safe Height mm
		Height mm	Width mm	Depth mm	Height mm	Width mm	Depth mm	Height mm	Width mm	Bottom number	Backwall number				
55000	Inzell	1500	700	500	1248	580	298	1346	546	2	2	200	1	10	150
55001	Inzell	1650	800	500	1348	680	298	1496	646	2	2	280	1	12	200
55002	Inzell	1800	800	550	1498	680	348	1646	646	2	2	325	1	12	200
55003	Inzell **	1800	950	550	1498	830	348	1646	796	2	2	370	1	15	200
55004	Inzell **	1800	1260	550	1498	1140	348	1646	1106	2	2	430	1	20	200 ***

* excluding hinges, handles and fittings ** 2-door *** double-door inner safe with partition wall



Body: double-walled body (60 mm thick)



Door: multi-walled door construction (100 mm thick)

Closure options

Standard option

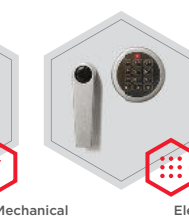


Key lock

Options available against surcharge



Mechanical code lock

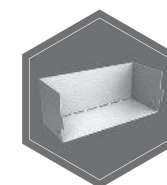


Electronic lock

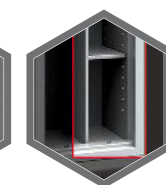


Electronic lock with mechanical emergency

Accessories available against surcharge



Storage tray

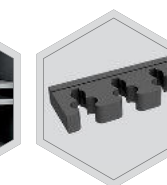


Partition wall with shelves

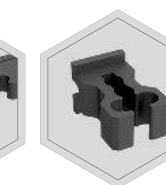
Alternative options



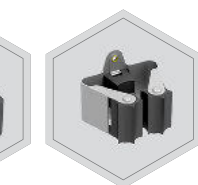
Left door



Gun holder (65 mm)



Rubbery gun holder



PRAX gun holder

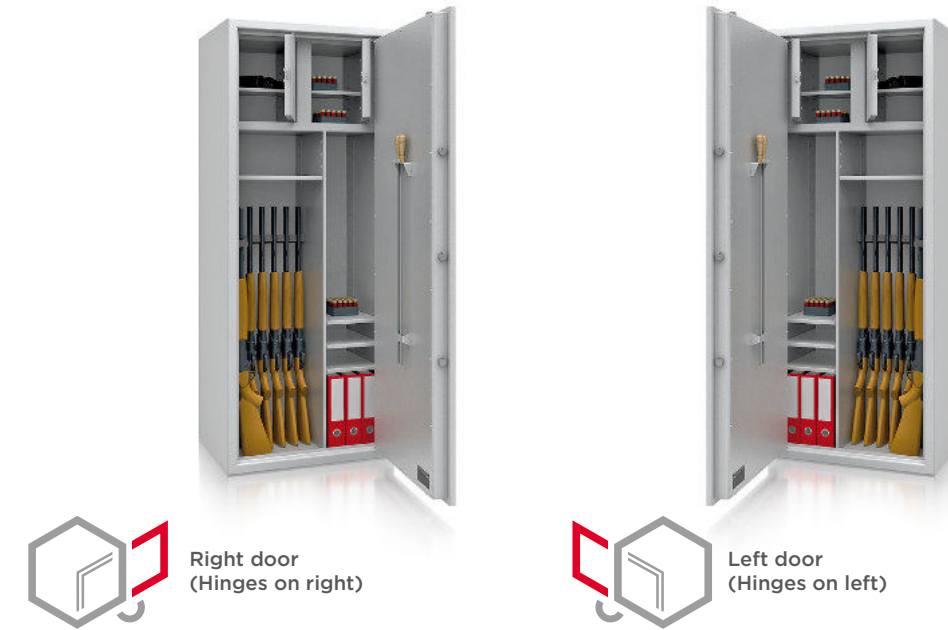


All information concerning weight, color and dimensions are noncommittal and subject to errors and changes. Minor deviations are conditional on the production process. Technical changes, modifications and printing errors reserved. Safes may be top-heavy, during commissioning, please exercise appropriate caution in accordance with the installation guide. Pictograms are not technical description of the product.

The image depicts a sample of a gun safe - **St.Gallen 56402** with additional equipment.



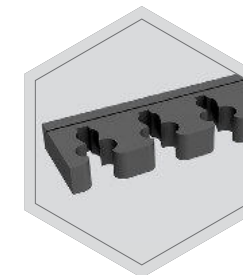
With options **left door** - internal equipment will be located opposite to the standard - the so-called mirror reflection



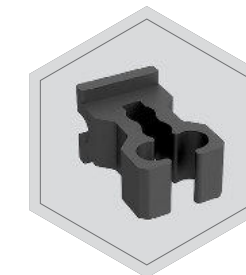
Option with **partition wall** - the amount of gun holders and the location of the shelves is needed



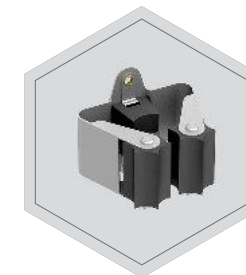
Gun holder



Gun holders with 55 mm span



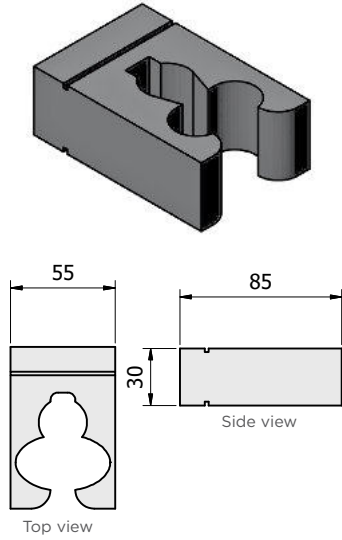
Rubbery gun holders



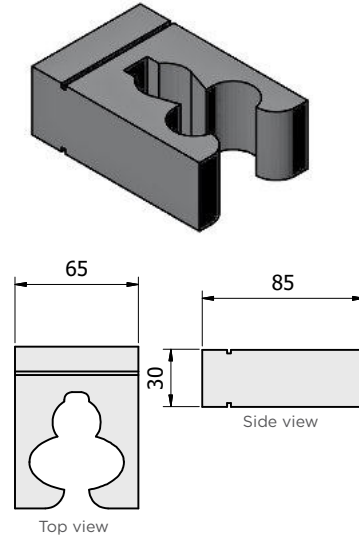
PRAX gun holders

Foam gun holders

Standard foam gun holder with 55 mm span

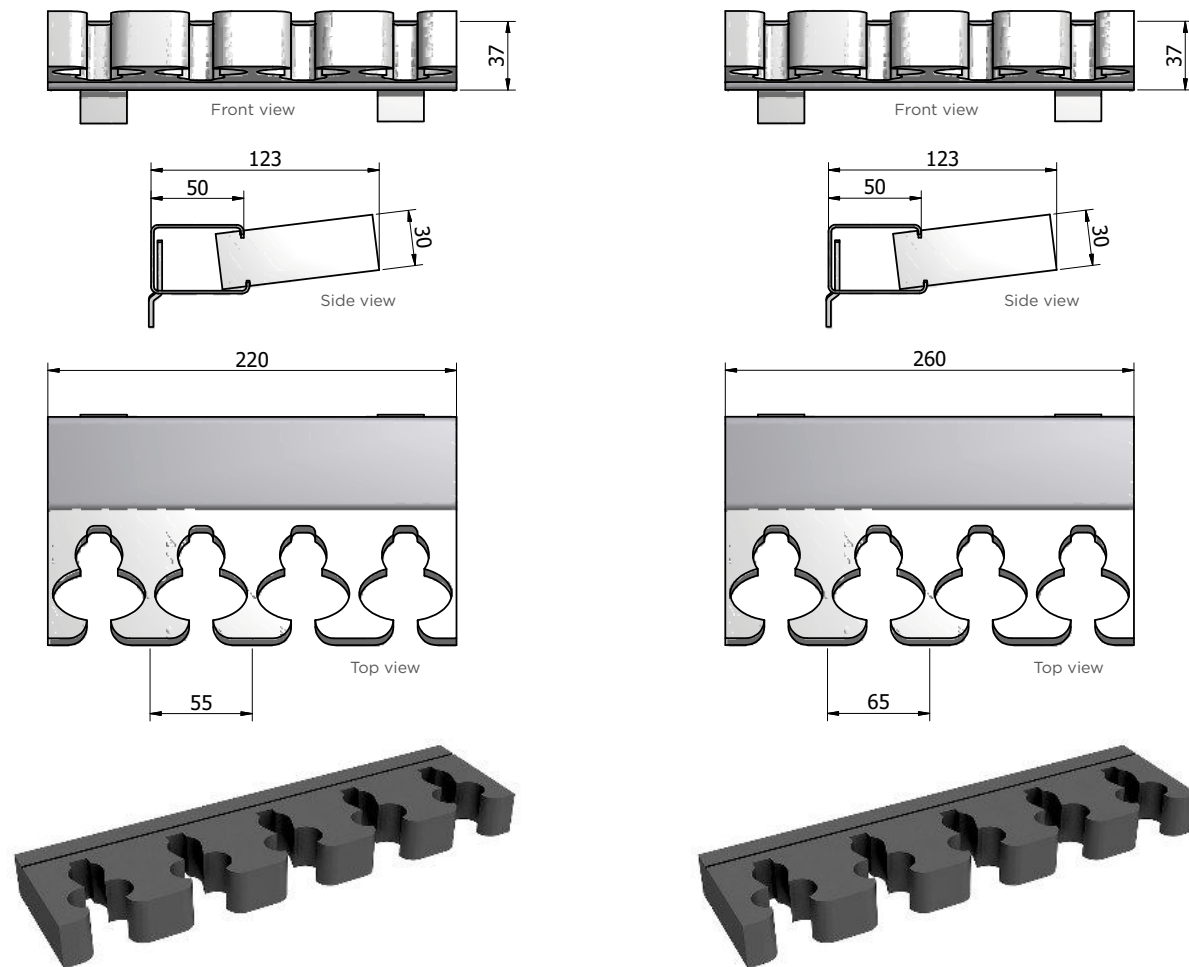


Foam gun holder with 65 mm span



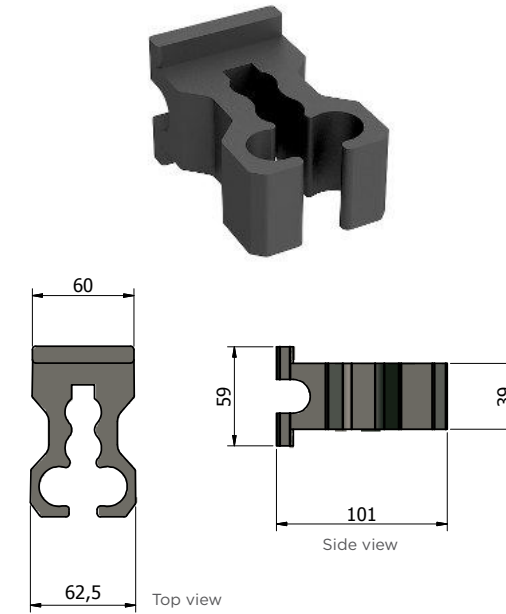
Exemplary assembly of the gun holders on the rail:

⚠ Foam gun holders are assembled as one piece not separately.

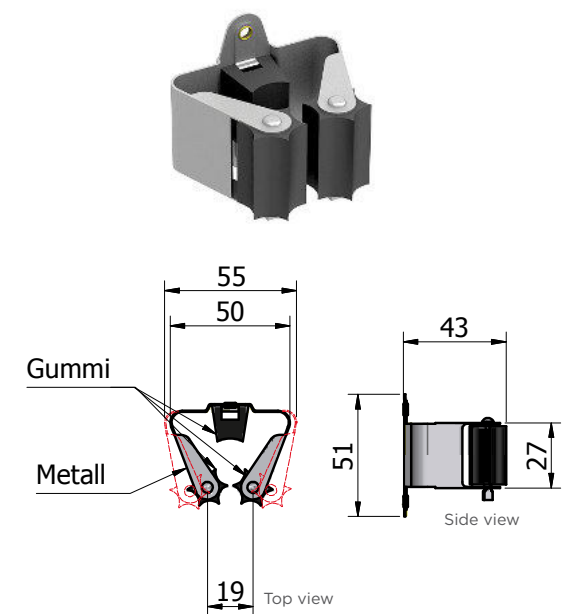


Rubbery gun holders

Rubbery gun holder

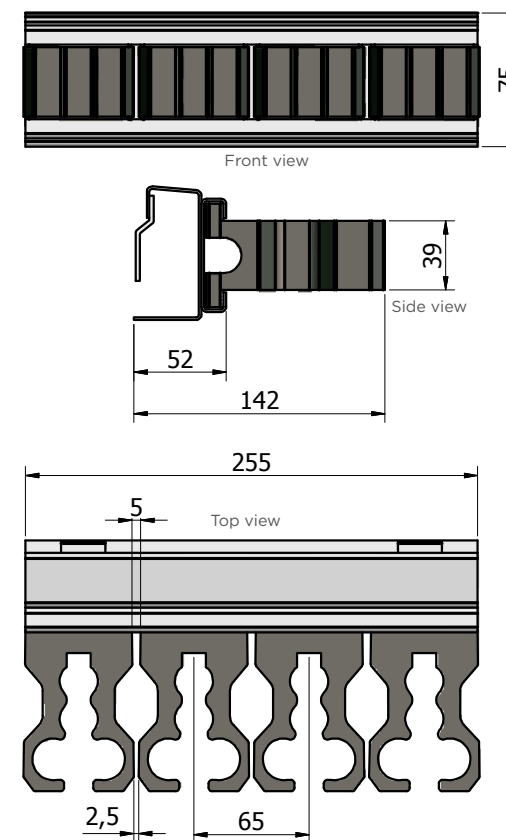


PRAX gun holder



Exemplary assembly of the gun holders on the rail:

⚠ Rubbery gun holders may be assembled on the rail separately, which enables extending of the distance between them. There is a possibility to disassembly particular gun holders. Special rail required.



⚠ Gun holders may be screwed to the rail separately, which enables extending of the distance between them.

Special rail required.

