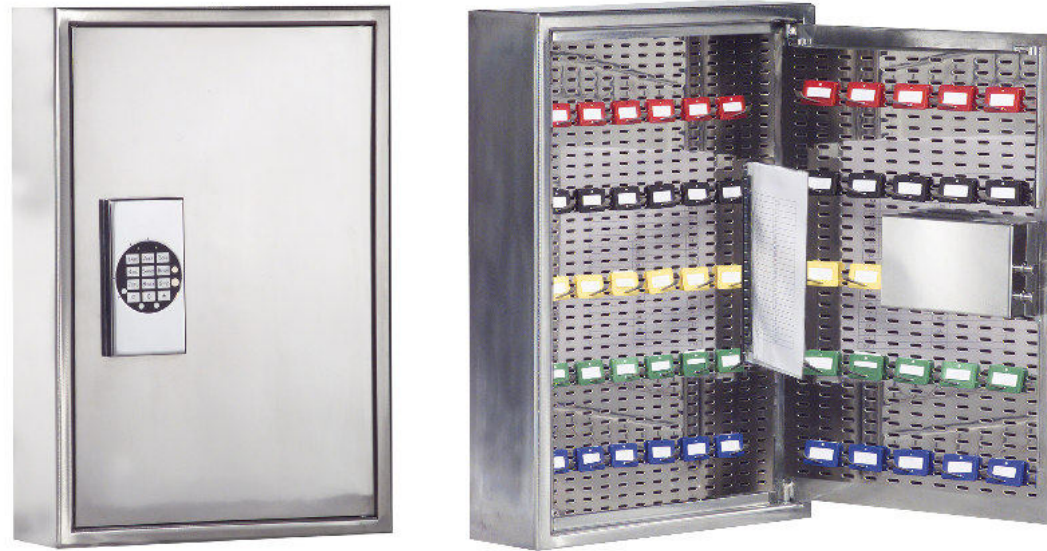


Model  
**Heidelberg**



**FEATURE** - Key cabinets with a system, which enables easy and individual hooks arrangements. There is a possibility to arrange hooks of different length (3 types). Index holder in Standard. The hooks are not a part of standard equipment.

Suitable for the storage of:  
 key

**Description**  
 Heidelberg series - key cabinet.

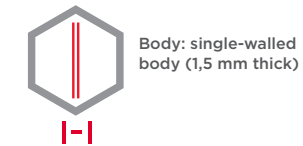
**Body:** single-walled body (1,5 mm thick)  
**Door:** single-walled door (3 mm thick)  
**Locking:** 1-way locking bolt system

**Standard option**  
**Lock:** high security key lock I class VdS with two keys (65 mm)  
**Hinges:** internal  
**Door opening angle:** 90°  
**Mounting holes:** 4 holes in backwall

Model  
**Heidelberg**

Art. No.	Model	Outer dimensions*			Inner dimensions			Door light		Anchoring		Hooks in total	Weight
		Height mm	Width mm	Depth mm	Height mm	Width mm	Depth mm	Height mm	Width mm	Bottom number	Backwall number	Number	Kg
13600	Heidelberg	350	350	200	347	347	172	287	261	0	4	50	9
13601	Heidelberg	550	500	200	547	497	172	487	411	0	4	100	18
13602	Heidelberg	800	500	200	797	497	172	737	411	0	4	150	29
13603	Heidelberg	1000	600	200	997	597	172	937	511	0	4	250	39
13604	Heidelberg	1200	600	200	1197	597	172	1137	511	0	4	350	45
13605	Heidelberg	1500	600	200	1497	597	172	1437	511	0	4	450	55

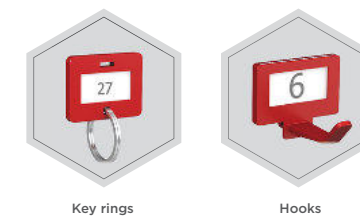
\* excluding hinges, handles and fittings



**Closure options**



**Accessories available against surcharge**

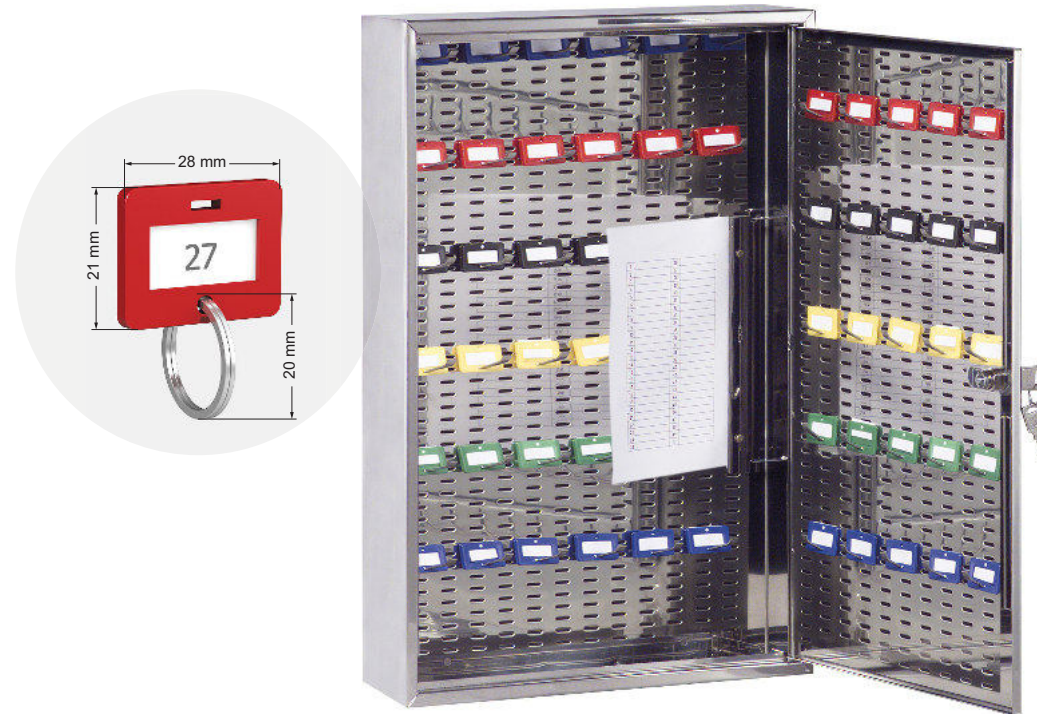


**Colour options without surcharge**

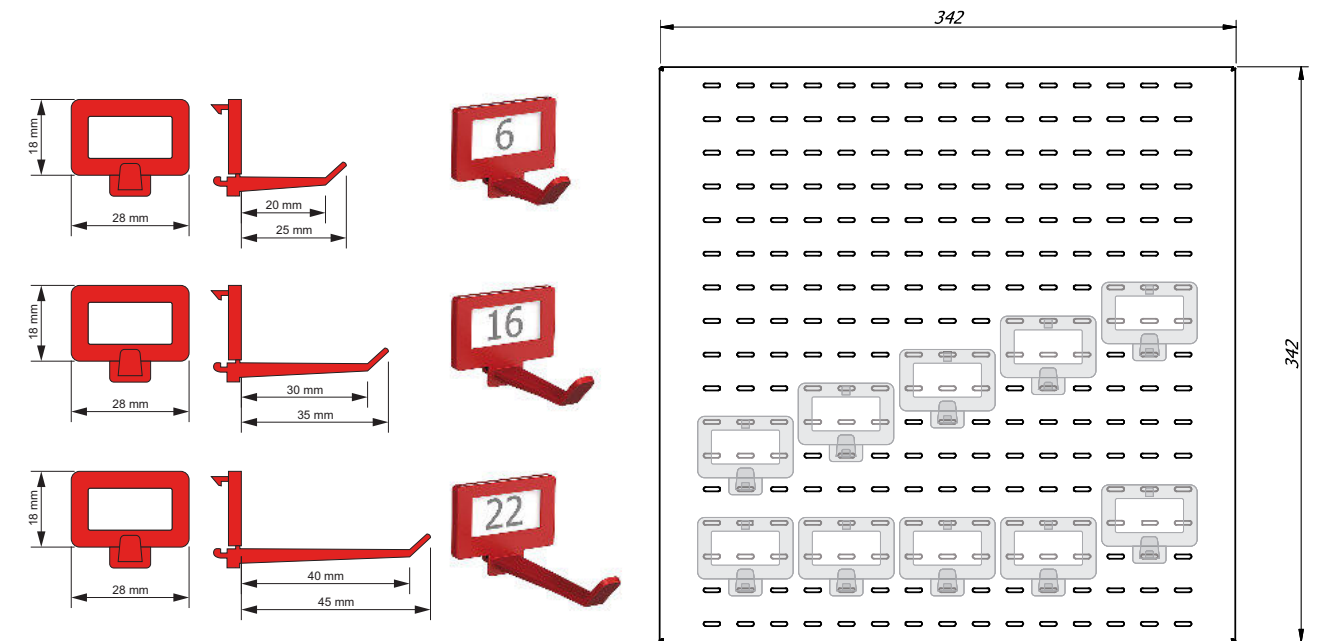







All information concerning weight, color and dimensions are noncommittal and subject to errors and changes. Minor deviations are conditional on the production process. Technical changes, modifications and printing errors reserved. Safes may be top-heavy, during commissioning, please exercise appropriate caution in accordance with the installation guide. Pictograms are not technical description of the product.

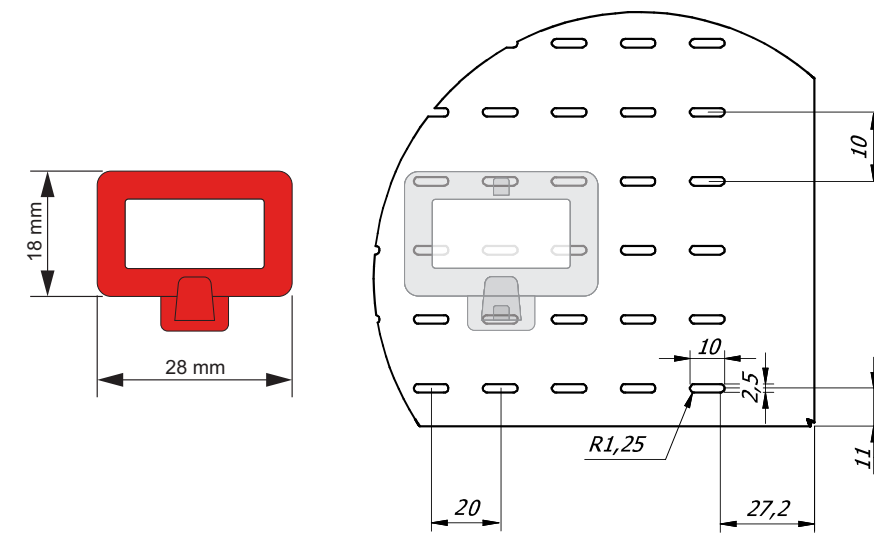
The picture shows an example of a key cabinet - model Heidelberg Art. no. 13601.



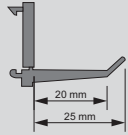
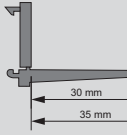
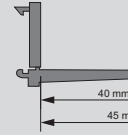











Hooks assembly system.



Art. No.	Model	Hook bars	Hooks on hook bar	Partition wall	Hooks in total
					
		Number	Number	Number	Number
13600	Heidelberg	-	-	-	50
13601	Heidelberg	-	-	-	100
13602	Heidelberg	-	-	-	150
13603	Heidelberg	-	-	-	250
13604	Heidelberg	-	-	-	350
13605	Heidelberg	-	-	-	450



Hook bar and key ring options against surcharge.

					
 blue	Art. 02532	Art. 02527	Art. 02520		Art. 15023.00
 green	Art. 02531	Art. 02526	Art. 02524		Art. 15023.01
 yellow	Art. 02530	Art. 02525	Art. 02523		Art. 15023.02
 red	Art. 02533	Art. 02528	Art. 02521		Art. 15023.03
 black	Art. 02534	Art. 02529	Art. 02522		Art. 15023.04

Hook assembly instructions.

