

Model
Hamburg Altona



Security level: Class S2 according to EN 14450
Security level: B according to VDMA 24992 - Conditions May '95
Fire rating: Fire-protected safes according to EN 1047-1 S120P

SPECIAL FEATURE - safe equipped with an adjustable shelf.

Suitable for the storage of:

- gun
- ammunition
- office documents

Description

Hamburg Altona series - the gun safes with two-hour protection from fire S 120 P.

Body: double-walled body (72 mm thick)
Door: multi-walled door construction (132 mm thick)
Locking: 4-way locking bolt system

Standard option

Lock: high security key lock I class VdS with two keys (120 mm)
Boltwork handle: handle, protruding 60 mm
Hinges: external
Door opening angle: 180°
Mounting holes: 2 holes in the floor
Colour: RAL 7035 (light grey)

Art. No.	Model	Outer dimensions*			Inner dimensions			Door light		Anchoring		Weight Kg	Shelves Number	Weapon brackets Number	Internal safe Height mm
		Height mm	Width mm	Depth mm	Height mm	Width mm	Depth mm	Height mm	Width mm	Bottom number	Backwall number				
58000	Hamburg Altona	1600	794	560	1309	649	361	1263	557	2	-	535	1	11	-
58001	Hamburg Altona	1800	794	560	1509	649	361	1463	557	2	-	700	1	11	-

* excluding hinges, handles and fittings



Body: double-walled body (72 mm thick)



Door: multi-walled door construction (132 mm thick)

Closure options

Standard option

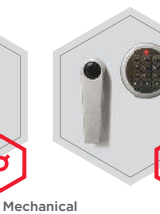


Key lock

Options available against surcharge



Mechanical code lock

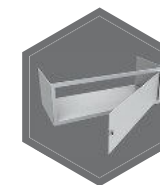


Electronic lock

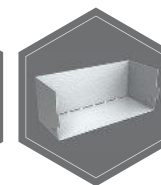


Electronic lock with mechanical emergency

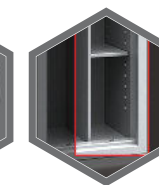
Accessories available against surcharge



Inner safe (Excl. Art. No. 58000)



Storage tray

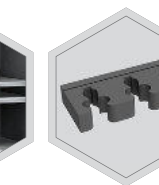


Partition wall with shelves

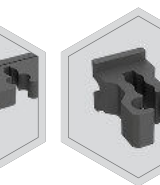
Alternative options



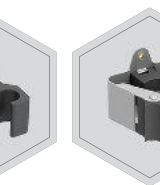
Left door



Gun holder (65 mm)



Rubbery gun holder



PRAX gun holder

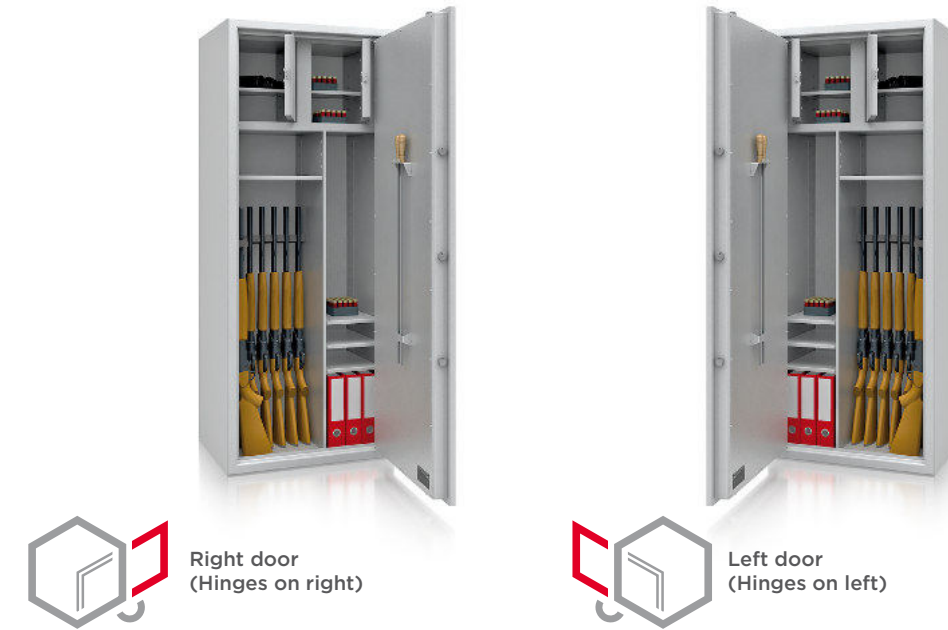


All information concerning weight, color and dimensions are noncommittal and subject to errors and changes. Minor deviations are conditional on the production process. Technical changes, modifications and printing errors reserved. Safes may be top-heavy, during commissioning, please exercise appropriate caution in accordance with the installation guide. Pictograms are not technical description of the product.

The image depicts a sample of a gun safe - **St.Gallen 56402** with additional equipment.



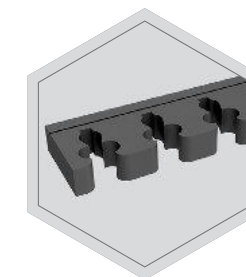
With options **left door** - internal equipment will be located opposite to the standard - the so-called mirror reflection



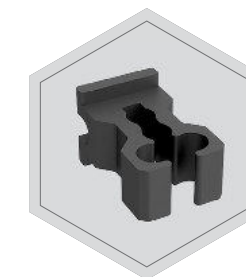
Option with **partition wall** - the amount of gun holders and the location of the shelves is needed



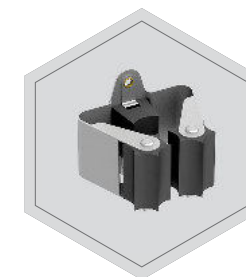
Gun holder



Gun holders with
55 mm span



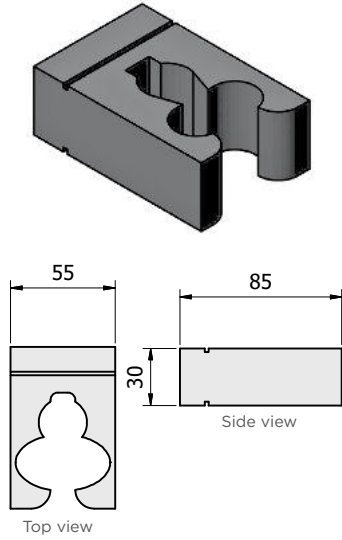
Rubbery gun holders



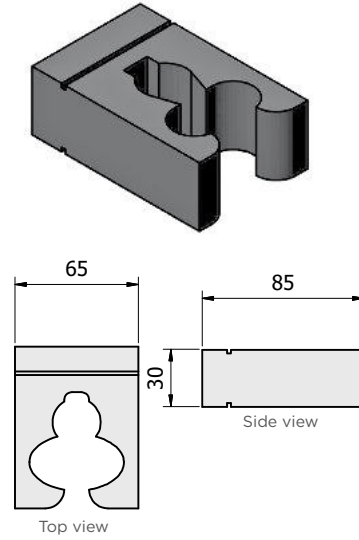
PRAX gun holders

Foam gun holders

Standard foam gun holder with 55 mm span

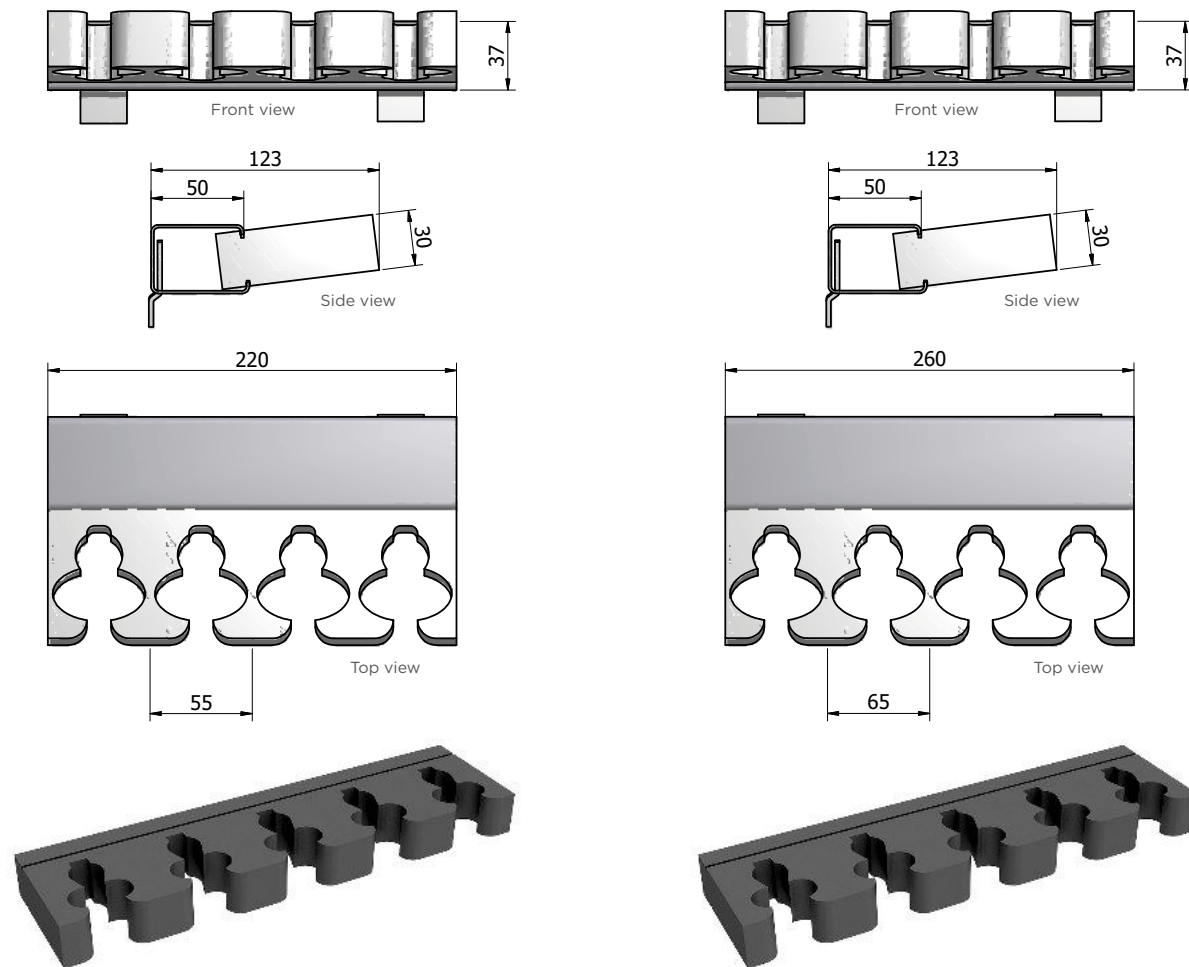


Foam gun holder with 65 mm span



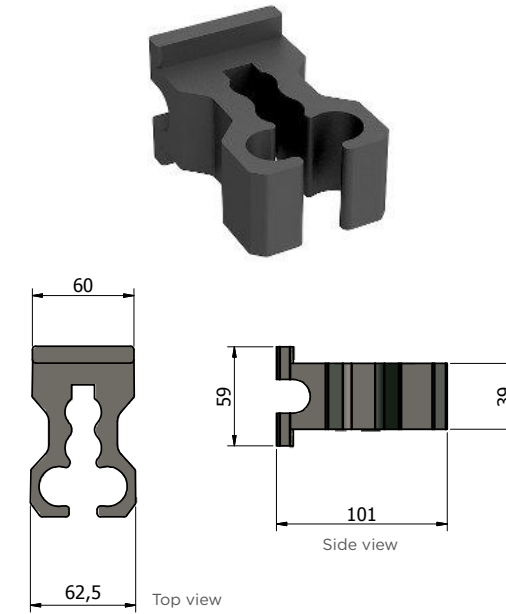
Exemplary assembly of the gun holders on the rail:

⚠ Foam gun holders are assembled as one piece not separately.

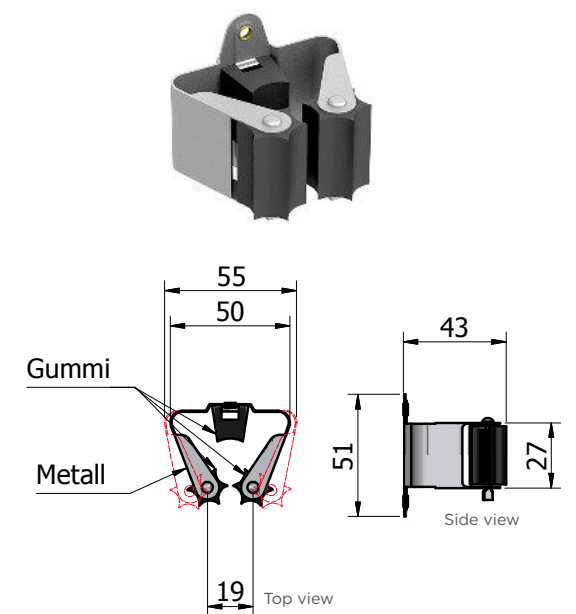


Rubbery gun holders

Rubbery gun holder

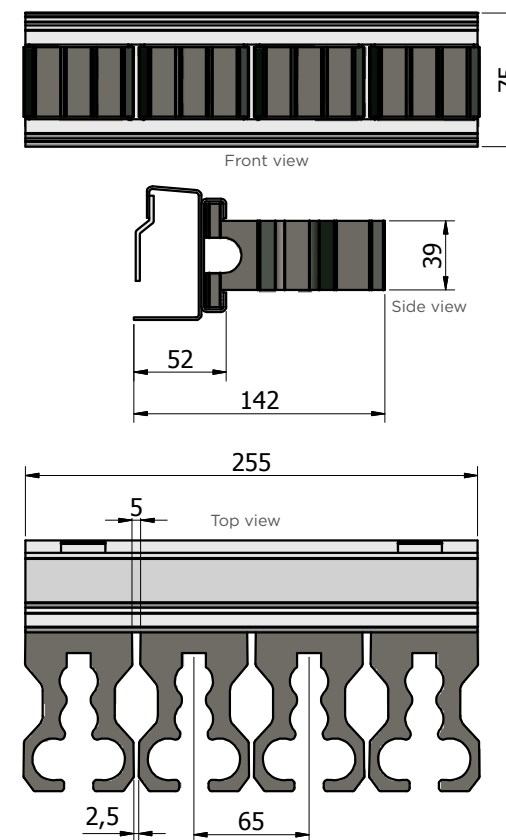


PRAX gun holder



Exemplary assembly of the gun holders on the rail:

⚠ Rubbery gun holders may be assembled on the rail separately, which enables extending of the distance between them. There is a possibility to disassembly particular gun holders. Special rail required.



⚠ Gun holders may be screwed to the rail separately, which enables extending of the distance between them.

Special rail required.

