





Security level: Class S2 according to EN 14450
Security level: B according to VDMA 24992 -
Conditions May '95

SPECIAL FEATURE - safe equipped with 130 mm high inner safe.

Suitable for the storage of:
 long, short weapons
 ammunition

Description
 Füssen series - gun safes, gun storage space 1248 mm height.

Body: double-walled body (60 mm thick)
Door: double-walled door construction (60 mm thick)
Locking: 4-way locking bolt system - incl. overlapping profile on the hinge side

Standard option
Lock: high security key lock I class VdS with two keys (65 mm)
Boltwork handle: knob, protruding 12 mm
Hinges: external
Door opening angle: 90°
Mounting holes: 2 holes in the floor and back wall
Colour: RAL 7035 (light grey)



| Art. No. | Model | Outer dimensions* | | | Inner dimensions | | | Door light | | Anchoring | | Weight Kg | Shelves Number | Weapon brackets Number | Internal safe Height mm |
|----------|--------|-------------------|-------------|-------------|------------------|-------------|-------------|--------------|-------------|------------------|--------------------|--------------|-------------------|------------------------------|----------------------------------|
| | | Height mm | Width mm | Depth mm | Height mm | Width mm | Depth mm | Height mm | Width mm | Bottom number | Backwall number | | | | |
| 54000 | Füssen | 1500 | 415 | 420 | 1248 | 295 | 255 | 1352 | 176 | 2 | 2 | 115 | - | 5 | 130 |
| 54001 | Füssen | 1500 | 530 | 420 | 1248 | 410 | 255 | 1352 | 291 | 2 | 2 | 135 | - | 7 | 130 |
| 54002 | Füssen | 1500 | 650 | 420 | 1248 | 530 | 255 | 1352 | 411 | 2 | 2 | 155 | - | 9 | 130 |
| 54003 | Füssen | 1500 | 415 | 420 | 1248 | 295 | 255 | 1352 | 176 | 2 | 2 | 200 | - | 5 | 130 |
| 54004 | Füssen | 1500 | 530 | 420 | 1248 | 410 | 255 | 1352 | 291 | 2 | 2 | 200 | - | 7 | 130 |
| 54005 | Füssen | 1500 | 650 | 420 | 1248 | 530 | 255 | 1352 | 411 | 2 | 2 | 200 | - | 9 | 130 |

* excluding hinges, handles and fittings



Body: double-walled body (60 mm thick)



Door: double-walled door construction (60 mm thick)

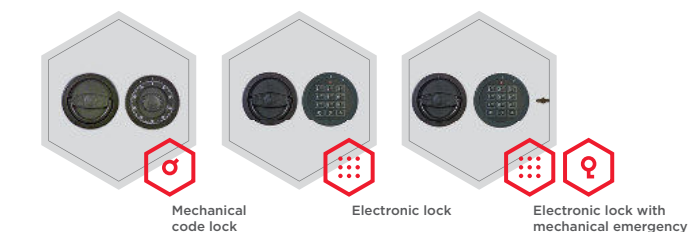
Closure options

Standard option



Key lock

Options available against surcharge

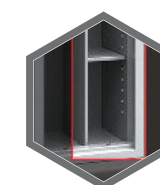


Mechanical code lock

Electronic lock

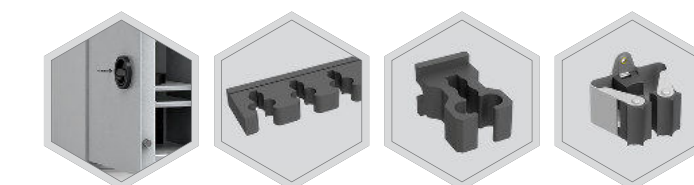
Electronic lock with mechanical emergency

Accessories available against surcharge



Partition wall with shelves

Alternative options




Left door

Gun holder (65 mm)

Rubbery gun holder

PRAX gun holder

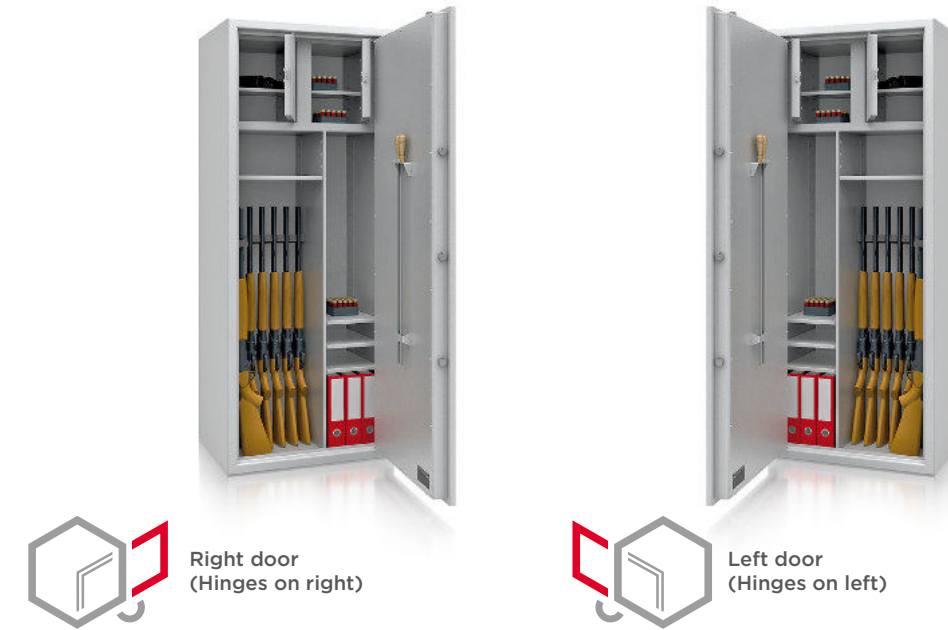


 All information concerning weight, color and dimensions are noncommittal and subject to errors and changes. Minor deviations are conditional on the production process. Technical changes, modifications and printing errors reserved. Safes may be top-heavy, during commissioning, please exercise appropriate caution in accordance with the installation guide. Pictograms are not technical description of the product.

The image depicts a sample of a gun safe - **St.Gallen 56402** with additional equipment.



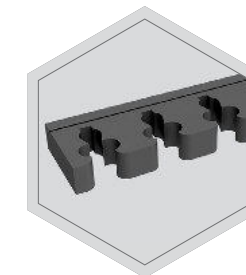
With options **left door** - internal equipment will be located opposite to the standard - the so-called mirror reflection



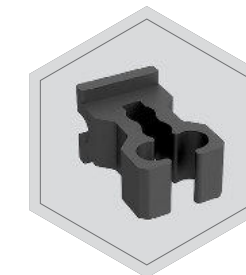
Option with **partition wall** - the amount of gun holders and the location of the shelves is needed



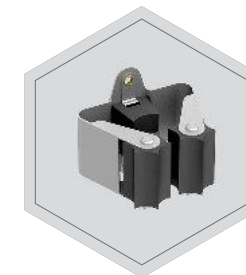
Gun holder



Gun holders with 55 mm span



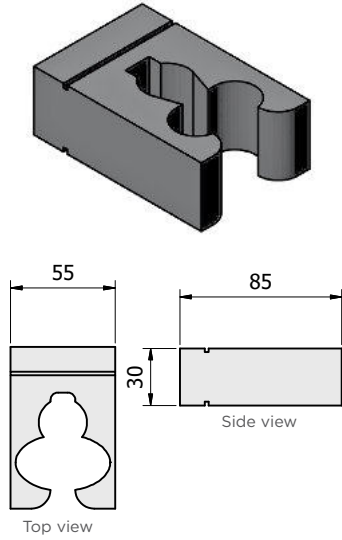
Rubbery gun holders



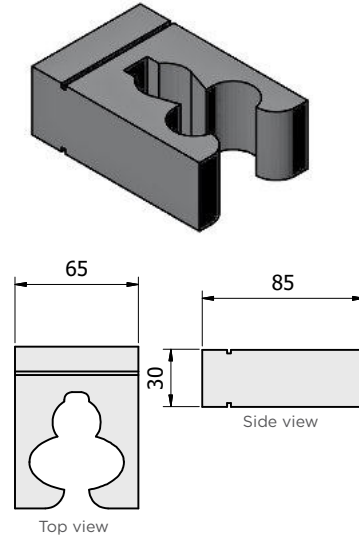
PRAX gun holders

Foam gun holders

Standard foam gun holder with 55 mm span

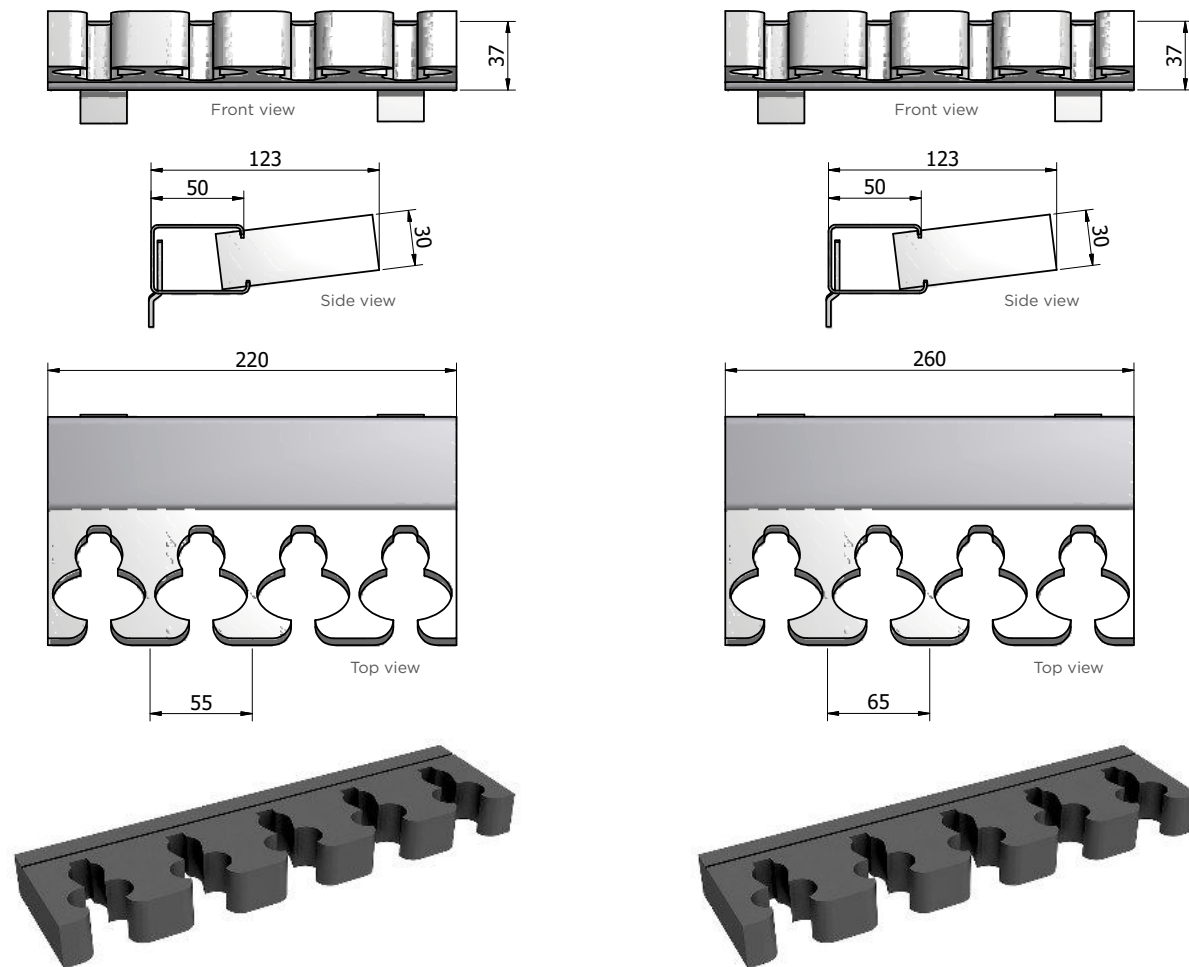


Foam gun holder with 65 mm span



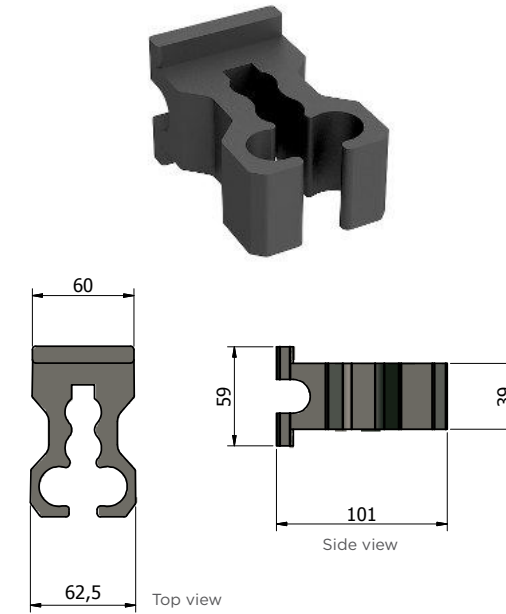
Exemplary assembly of the gun holders on the rail:

⚠ Foam gun holders are assembled as one piece not separately.

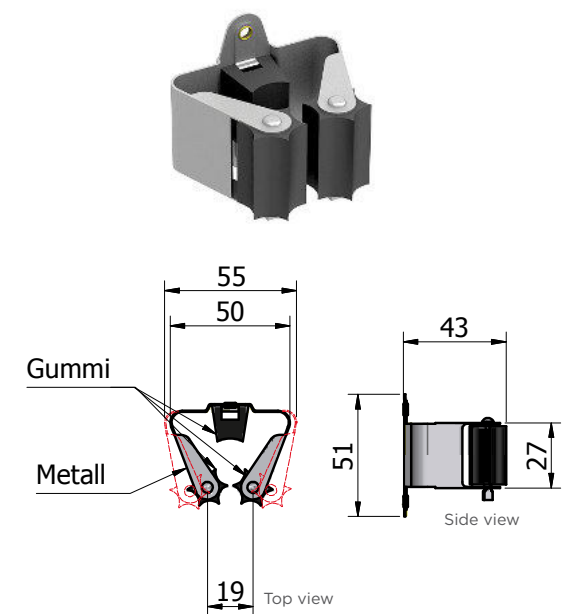


Rubbery gun holders

Rubbery gun holder

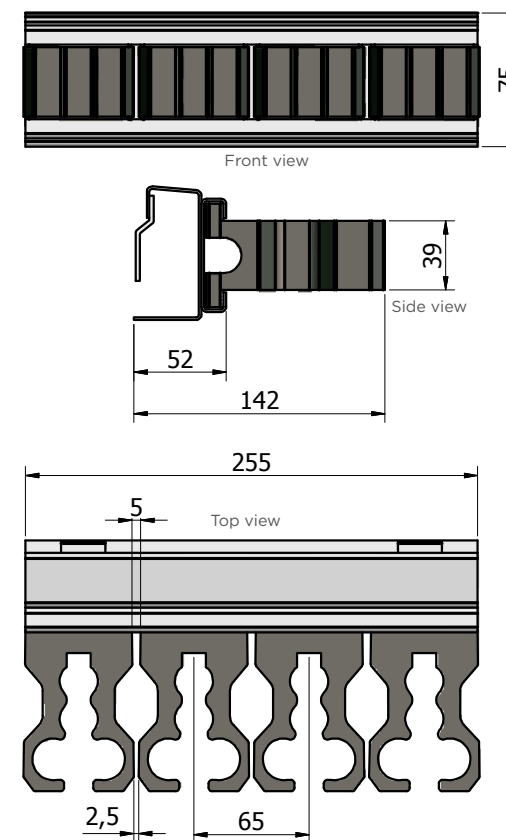


PRAX gun holder



Exemplary assembly of the gun holders on the rail:

⚠ Rubbery gun holders may be assembled on the rail separately, which enables extending of the distance between them. There is a possibility to disassembly particular gun holders. Special rail required.



⚠ Gun holders may be screwed to the rail separately, which enables extending of the distance between them.

Special rail required.

