



**Security level: Class S2 according to EN 14450**  
**Security level: B according to VDMA 24992 - Conditions May '95**  
**Fire rating: Fire-protected safes according to EN 15659 LFS 30 P**

**SPECIAL FEATURE** - model 55100 equipped with 150 mm high inner safe, other models equipped with 370 mm high inner safe with cylindrical lock.

Suitable for the storage of:  
 short, long weapons  
 ammunition  
 office documents

**Description**  
 Düsseldorf-Meerbusch series - gun safes mit 30 min fire resistance (LFS 30 P).

**Body:** double-walled body (65 mm thick)  
**Door:** multi-walled door construction (94 mm thick)  
**Locking :** 4-way locking bolt system - incl. fix bolts on the hinge side

**Standard option:**  
**Lock:** high security key lock I class VdS with two keys (120 mm)  
**Boltwork handle:** handle, protruding 60mm  
**Hinges:** external  
**Door opening angle:** 180°  
**Mounting holes:** 2 holes in the floor  
**Colour:** RAL 7035 (light grey)



Art. No.	Model	Outer dimensions*			Inner dimensions			Door light		Anchoring		Weight Kg	Shelves Number	Weapon brackets Number	Internal safe Height mm
		Height mm	Width mm	Depth mm	Height mm	Width mm	Depth mm	Height mm	Width mm	Bottom number	Backwall number				
55100	Düsseldorf-Meerbusch	1525	705	527	1229	574	327	1379	534	2	-	250	-	10	150
55101	Düsseldorf-Meerbusch	1875	705	527	1359	574	327	1729	534	2	-	298	-	10	370 ***
55102	Düsseldorf-Meerbusch **	1875	955	527	1359	824	327	1729	784	2	-	372	-	14	370 ****
55103	Düsseldorf-Meerbusch **	1875	1305	527	1359	1174	327	1729	1134	2	-	462	-	21	370 ****

\* excluding hinges, handles and fittings \*\* 2-door \*\*\* with adjustable shelf \*\*\*\* double-door inner safe with partition wall; with adjustable shelf



Body: double-walled body (65 mm thick)



Door: multi-walled door construction (94 mm thick)

**Closure options**

Standard option

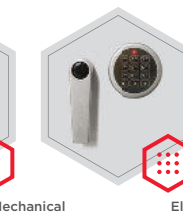


Key lock

Options available against surcharge



Mechanical code lock

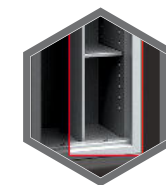


Electronic lock



Electronic lock with mechanical emergency

**Accessories available against surcharge**

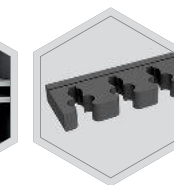


Partition wall with shelves

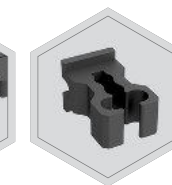
**Alternative options**



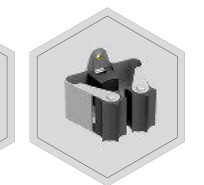
Left door



Gun holder (65 mm)



Rubbery gun holder



PRAX gun holder

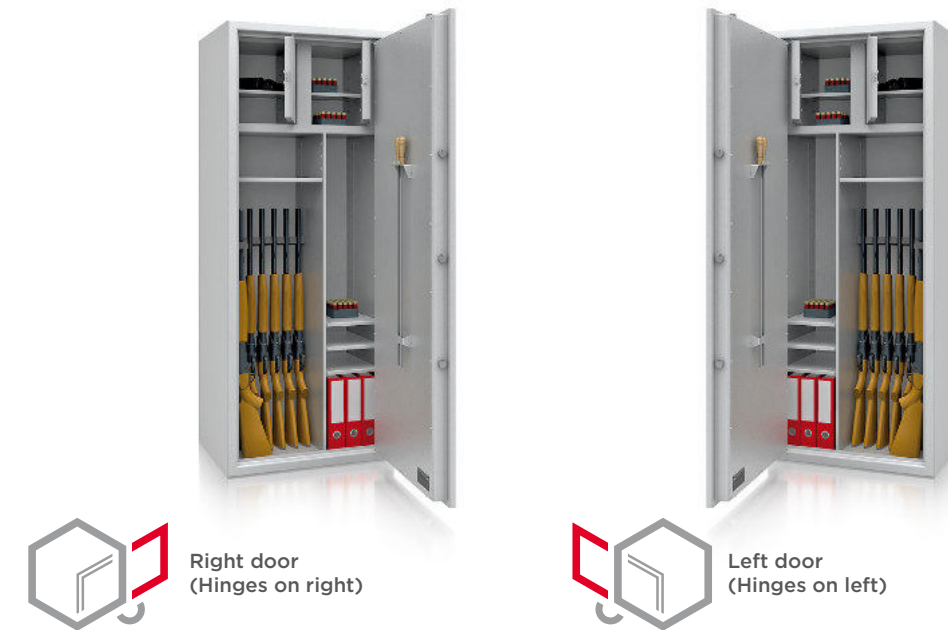


All information concerning weight, color and dimensions are noncommittal and subject to errors and changes. Minor deviations are conditional on the production process. Technical changes, modifications and printing errors reserved. Safes may be top-heavy, during commissioning, please exercise appropriate caution in accordance with the installation guide. Pictograms are not technical description of the product.

The image depicts a sample of a gun safe - **St.Gallen 56402** with additional equipment.



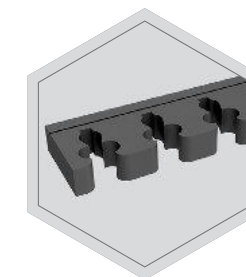
With options **left door** - internal equipment will be located opposite to the standard - the so-called mirror reflection



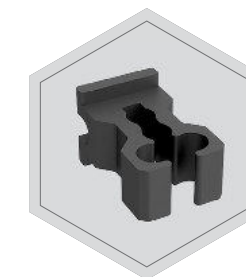
Option with **partition wall** - the amount of gun holders and the location of the shelves is needed



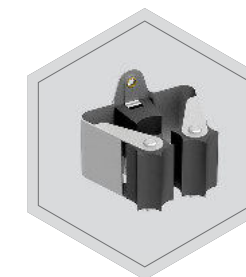
Gun holder



Gun holders with 55 mm span



Rubbery gun holders

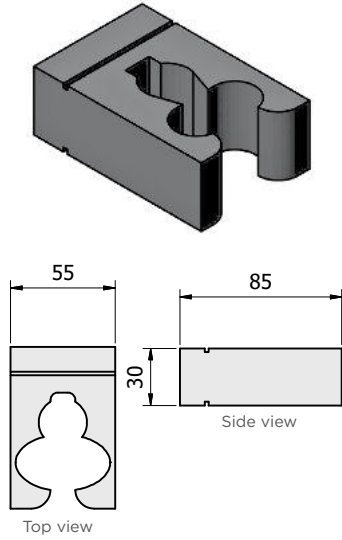


PRAX gun holders

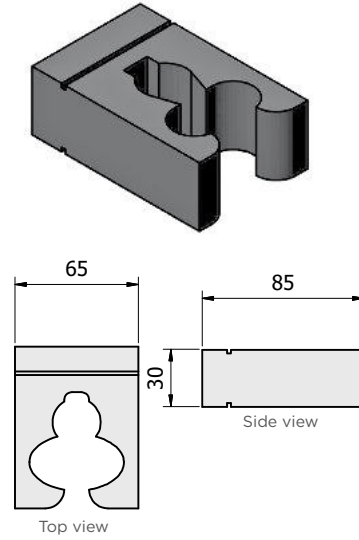


### Foam gun holders

Standard foam gun holder with 55 mm span

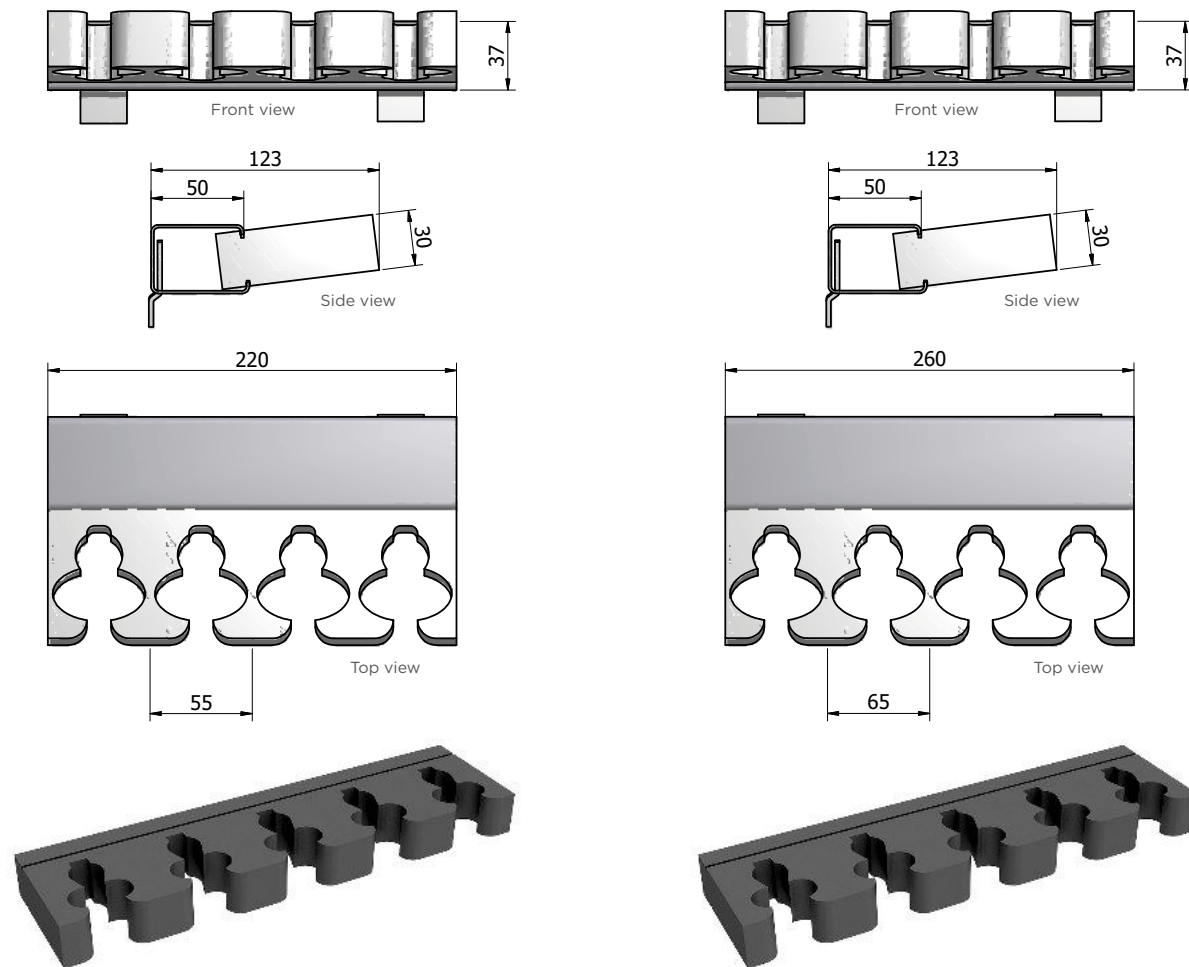


Foam gun holder with 65 mm span



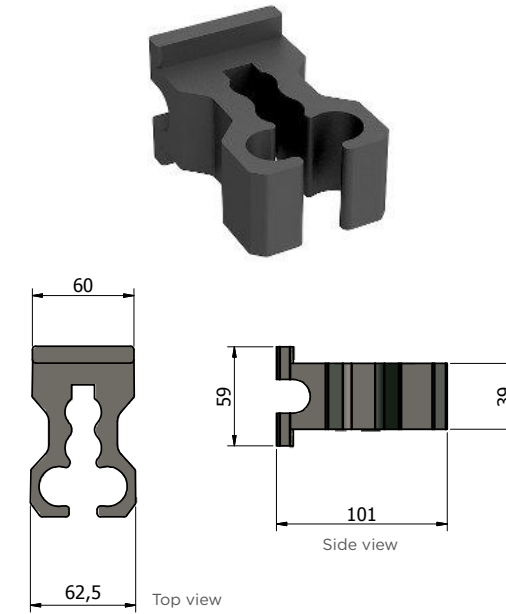
Exemplary assembly of the gun holders on the rail:

⚠ Foam gun holders are assembled as one piece not separately.

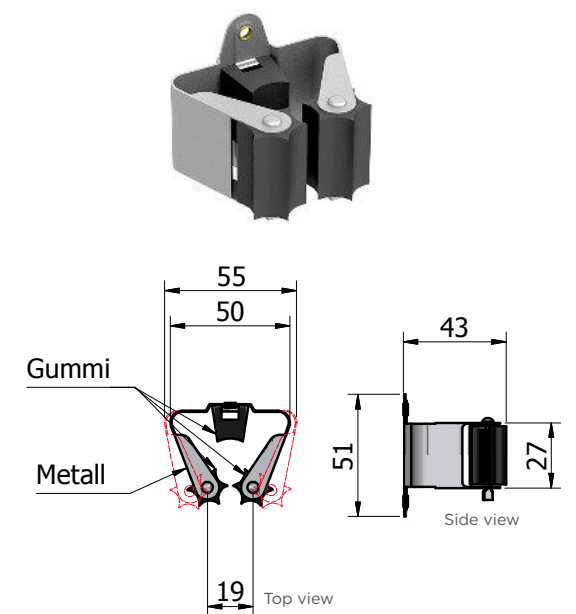


### Rubbery gun holders

Rubbery gun holder

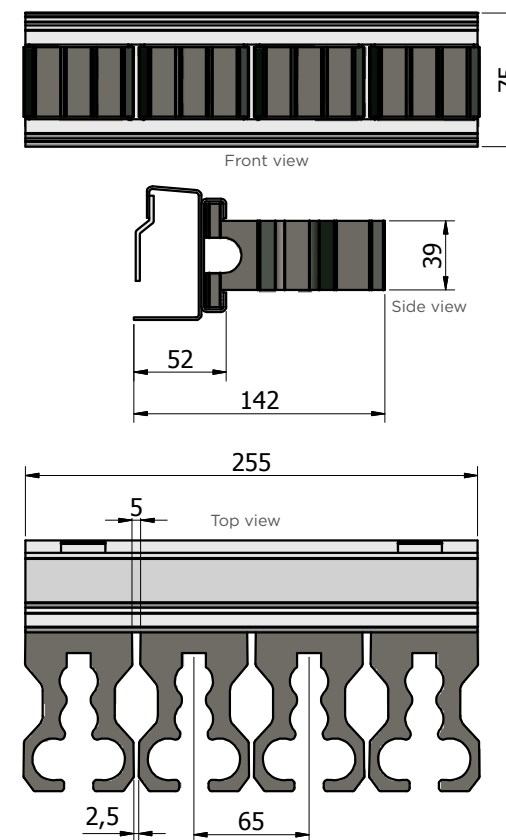


PRAX gun holder



Exemplary assembly of the gun holders on the rail:

⚠ Rubbery gun holders may be assembled on the rail separately, which enables extending of the distance between them. There is a possibility to disassembly particular gun holders. Special rail required.



⚠ Gun holders may be screwed to the rail separately, which enables extending of the distance between them.

Special rail required.

