



Security level: Class S1 according to EN 14450

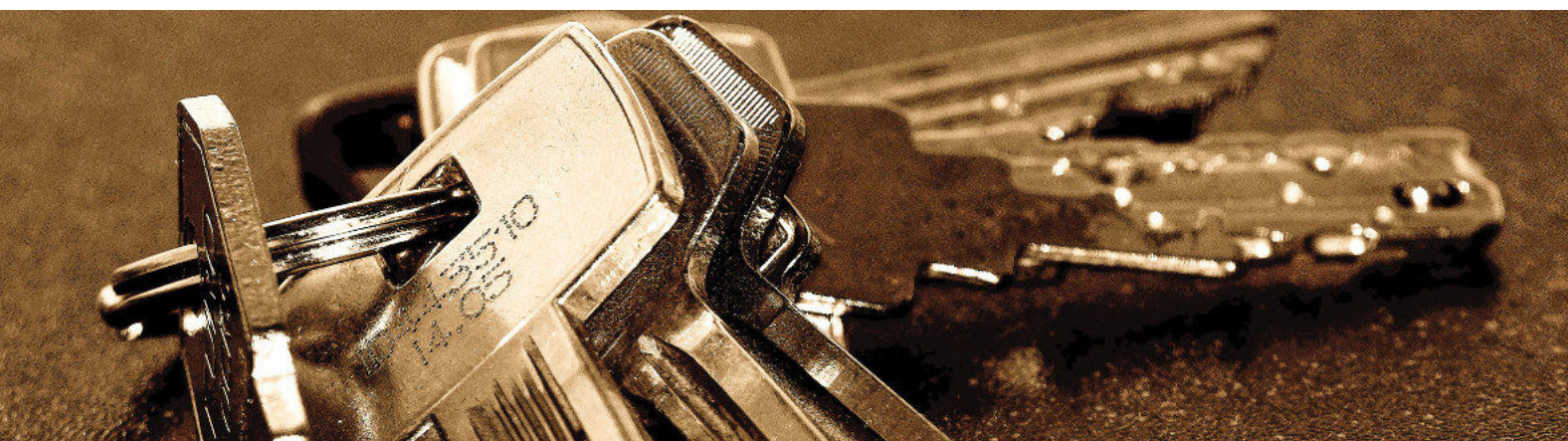
SPECIAL FEATURE - key cabinets with a system, which enables easy and individual hooks arrangements. There is a possibility to arrange hooks of different length (3 types). The hooks are not a part of standard equipment.

Suitable for the storage of:
 keys

Description
 Düren series - key safes.

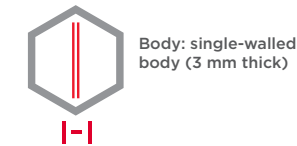
Body: single-walled body (3 mm thick)
Door: double-walled door (52 mm thick)
Locking: 4-way locking bolt system - incl. overlapping profile on the hinge side

Standard option
Lock: high security key lock I class VdS with two keys (65 mm)
Boltwork handle: knob, protruding 12 mm
Hinges: internal
Door opening angle: 90°
Mounting holes: 1 hole in the floor and 4 in back wall
Colour: RAL 7035 (light grey)



Art. No.	Model	Outer dimensions*			Inner dimensions			Door light		Anchoring		Hooks in total	Weight
		Height mm	Width mm	Depth mm	Height mm	Width mm	Depth mm	Height mm	Width mm	Bottom number	Backwall number	Number	Kg
13200	Düren	350	350	200	344	344	125	260	213	1	4	~	18
13201	Düren	550	500	200	544	494	125	460	363	1	4	~	37
13202	Düren	800	500	200	794	494	125	710	363	1	4	~	47
13203	Düren	1000	600	200	994	594	125	910	463	1	4	~	74
13204	Düren	1200	600	200	1194	594	125	1110	463	1	4	~	88
13205	Düren	1500	600	200	1494	594	125	1410	463	1	4	~	110
13206	Düren **	1000	1000	200	994	994	125	910	820	1	4	~	131
13207	Düren **	1500	1000	200	1494	994	125	1410	820	1	4	~	182
13208	Düren **	1800	1000	200	1794	994	125	1710	820	1	4	~	212

* excluding hinges, handles and fittings ** 2-door



Closure options



Accessories available against surcharge

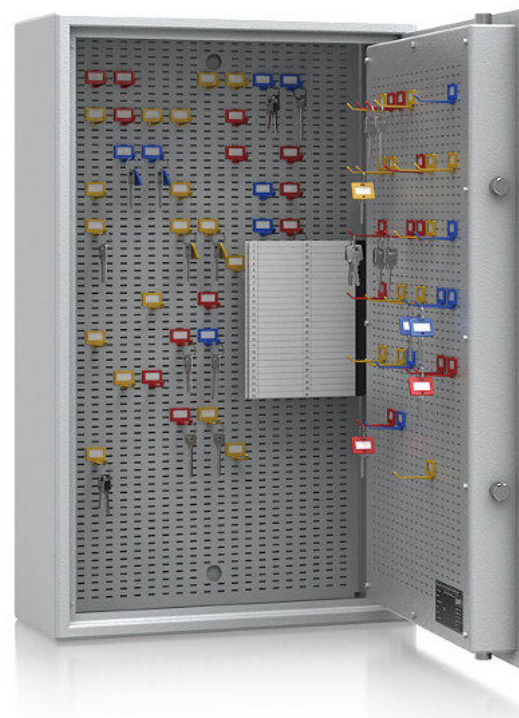


Colour options without surcharge

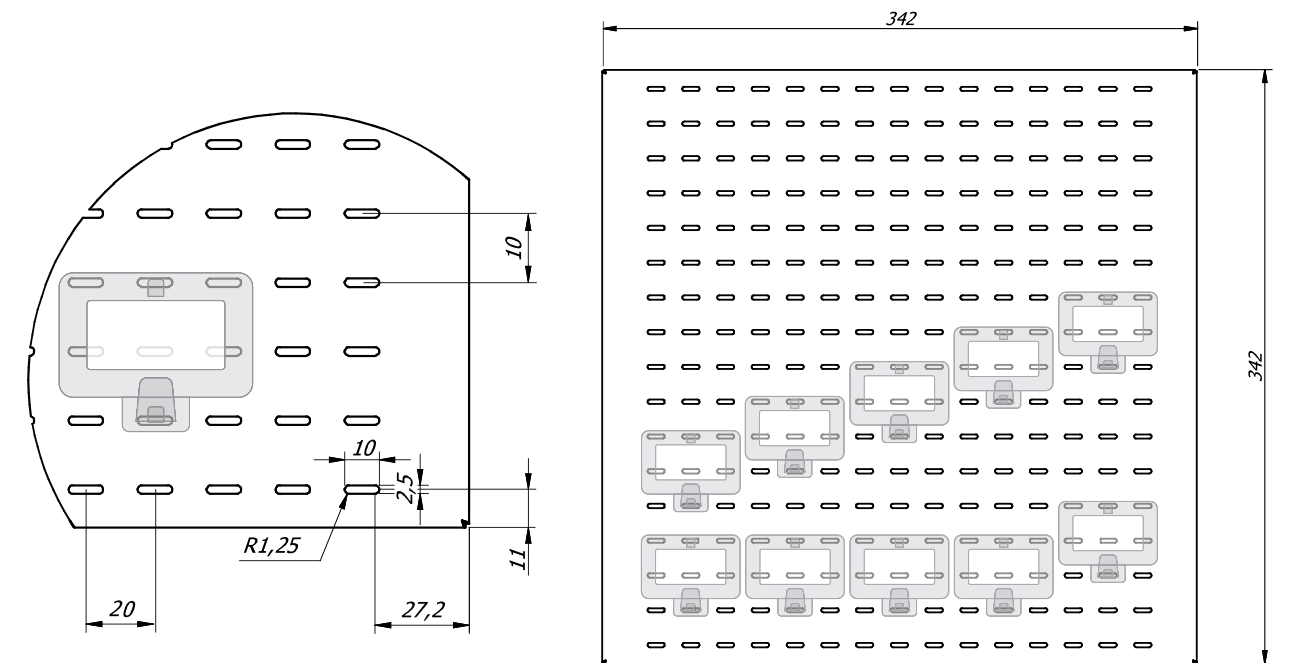







All information concerning weight, color and dimensions are noncommittal and subject to errors and changes. Minor deviations are conditional on the production process. Technical changes, modifications and printing errors reserved. Safes may be top-heavy, during commissioning, please exercise appropriate caution in accordance with the installation guide. Pictograms are not technical description of the product.

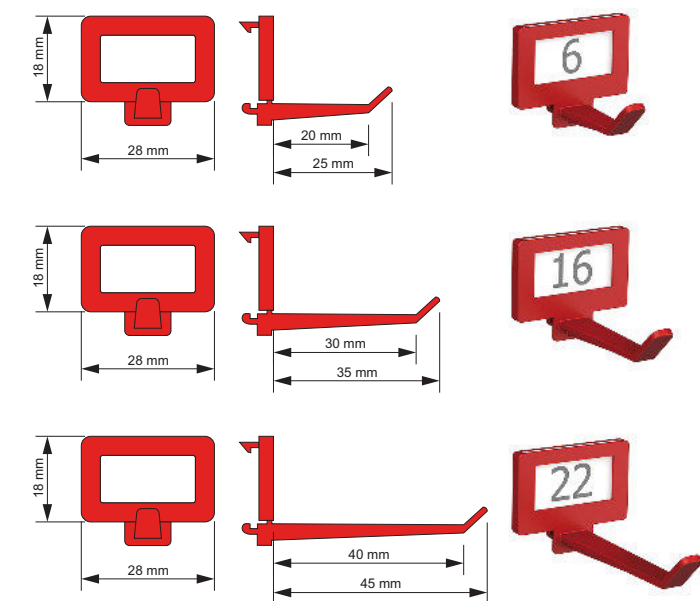
The picture shows an example of a key safe - model Leipzig Art. no. 13102.



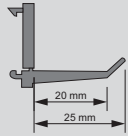
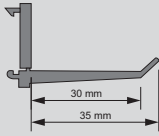
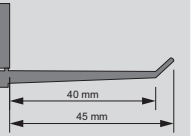






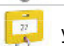




Hooks assembly system.



Art. No.	Model	Hook bars	Hooks on hook bar	Partition wall	Hooks in total
					
		Number	Number	Number	Number
13200	Düren	-	-	-	50 (max**)
13201	Düren	-	-	-	150 (max**)
13202	Düren	-	-	-	200 (max**)
13203	Düren	-	-	-	300 (max**)
13204	Düren	-	-	-	350 (max**)
13205	Düren	-	-	-	450 (max**)
13206	Düren	-	-	-	550 (max**)
13207	Düren	-	-	-	800 (max**)
13208	Düren	-	-	-	1000 (max**)



Hook bar and key ring options against surcharge.

					
	20 mm / 25 mm	30 mm / 35 mm	40 mm / 45 mm		
 blue	Art. 02532	Art. 02527	Art. 02520	 blue	Art. 15023.00
 green	Art. 02531	Art. 02526	Art. 02524	 green	Art. 15023.01
 yellow	Art. 02530	Art. 02525	Art. 02523	 yellow	Art. 15023.02
 red	Art. 02533	Art. 02528	Art. 02521	 red	Art. 15023.03
 black	Art. 02534	Art. 02529	Art. 02522	 black	Art. 15023.04

Hook assembly instructions.

