

Model
Dresden Radebeul



Security level: Class I according to EN 1143-1
Fire rating: Fire-protected safes according to EN 15659 LFS 30 P

SPECIAL FEATURE - models 56000 - 56008 equipped with 180 mm high inner safe and adjustable shelf/shelves below (models 56009 - 56010 include 2 adjustable shelves with long rifle cut-out instead).

Suitable for the storage of:

- gun
- ammunition
- office documents, office equipment
- valuables

Description
Series Dresden Radebeul - High security gun safes with light fire - protection.

Body: multi-walled body (62 mm thick)
Door: multi-walled door construction (104 mm thick)
Locking: 4-way locking bolt system - incl. overlapping profile on the hinge side

Standard option
Lock: high security key lock I class VdS with two keys (120 mm)
Boltwork handle: handle, protruding 60mm
Hinges: external
Door opening angle: 180°
Mounting holes: 1 hole in the floor
Colour: RAL 7035 (light grey)

Model
Dresden Radebeul

| Art. No. | Model | Outer dimensions* | | | Inner dimensions | | | Door light | | Anchoring | | Weight Kg | Shelves Number | Weapon brackets Number | Internal safe Height mm |
|----------|---------------------|-------------------|-------------|-------------|------------------|-------------|-------------|--------------|-------------|------------------|--------------------|--------------|-------------------|------------------------------|----------------------------------|
| | | Height mm | Width mm | Depth mm | Height mm | Width mm | Depth mm | Height mm | Width mm | Bottom number | Backwall number | | | | |
| 56000 | Dresden Radebeul | 1550 | 700 | 550 | 1229 | 576 | 344 | 1396 | 546 | 1 | - | 331 | - | 10 | 180 |
| 56001 | Dresden Radebeul | 1550 | 836 | 550 | 1229 | 712 | 344 | 1396 | 682 | 1 | - | 373 | - | 13 | 180 |
| 56002 | Dresden Radebeul | 1706 | 636 | 550 | 1385 | 512 | 344 | 1552 | 482 | 1 | - | 340 | 1 | 9 | 180 |
| 56003 | Dresden Radebeul | 1706 | 836 | 550 | 1385 | 712 | 344 | 1552 | 682 | 1 | - | 406 | 1 | 13 | 180 |
| 56004 | Dresden Radebeul | 1806 | 700 | 550 | 1485 | 576 | 344 | 1652 | 546 | 1 | - | 381 | 2 | 10 | 180 |
| 56005 | Dresden Radebeul ** | 1706 | 950 | 550 | 1515 | 826 | 344 | 1515 | 796 | 1 | - | 487 | 1 | 15 | 180 **** |
| 56006 | Dresden Radebeul ** | 1706 | 1260 | 550 | 1515 | 1136 | 344 | 1515 | 1106 | 1 | - | 594 | 1 | 20 | 180 **** |
| 56007 | Dresden Radebeul ** | 1806 | 1200 | 550 | 1615 | 1076 | 344 | 1615 | 1046 | 1 | - | 607 | 2 | 19 | 180 **** |
| 56008 | Dresden Radebeul ** | 1806 | 1488 | 550 | 1615 | 1364 | 344 | 1615 | 1334 | 1 | - | 712 | 2 | 24 | 180 **** |
| 56009 | Dresden Radebeul | 1400 | 520 | 500 | 1261 | 396 | 294 | 1246 | 366 | 1 | - | 240 | 2 *** | 7 | - |
| 56010 | Dresden Radebeul | 1400 | 675 | 500 | 1261 | 551 | 294 | 1246 | 521 | 1 | - | 280 | 2 *** | 10 | - |

* excluding hinges, handles and fittings ** 2-door *** with long rifle cut-out **** double-door inner safe with partition wall



Body: multi-walled body (62 mm thick)



Door: multi-walled door construction (104 mm thick)

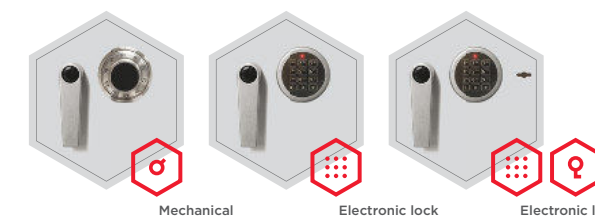
Closure options

Standard option



Key lock

Options available against surcharge

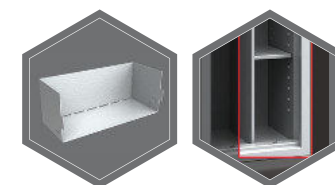


Mechanical code lock

Electronic lock

Electronic lock with mechanical emergency (Excl. Art. No. 56009)

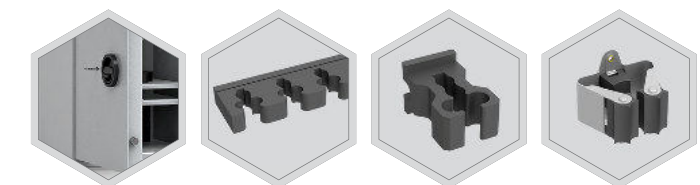
Accessories available against surcharge



Storage tray

Partition wall with shelves

Alternative options



Left door

Gun holder (65 mm)

Rubbery gun holder

PRAX gun holder

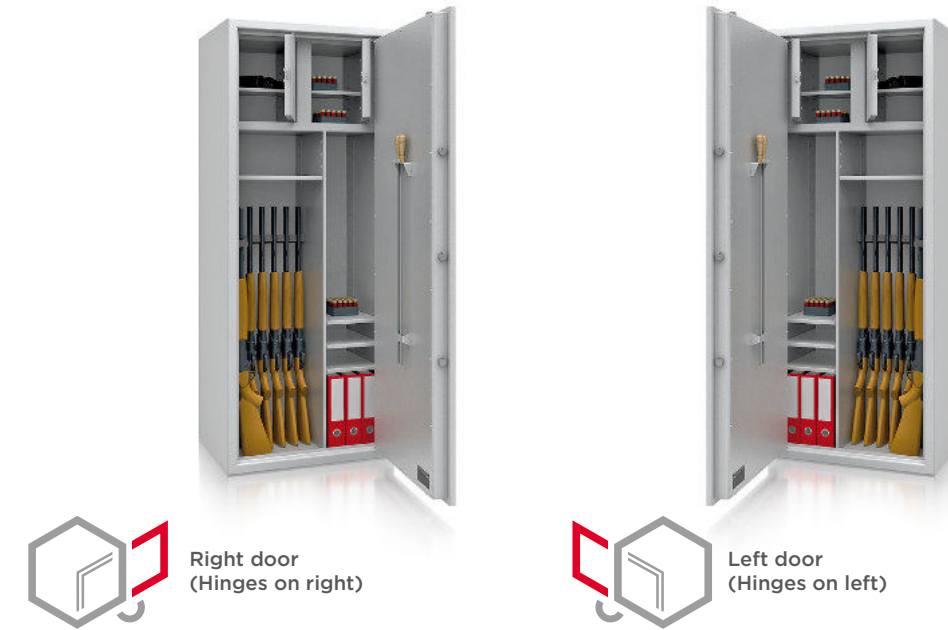


All information concerning weight, color and dimensions are noncommittal and subject to errors and changes. Minor deviations are conditional on the production process. Technical changes, modifications and printing errors reserved. Safes may be top-heavy, during commissioning, please exercise appropriate caution in accordance with the installation guide. Pictograms are not technical description of the product.

The image depicts a sample of a gun safe - **St.Gallen 56402** with additional equipment.



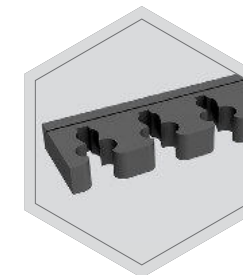
With options **left door** - internal equipment will be located opposite to the standard - the so-called mirror reflection



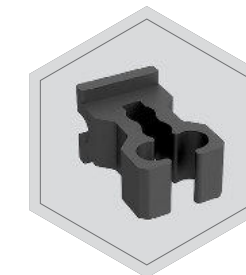
Option with **partition wall** - the amount of gun holders and the location of the shelves is needed



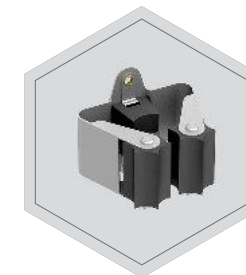
Gun holder



Gun holders with 55 mm span



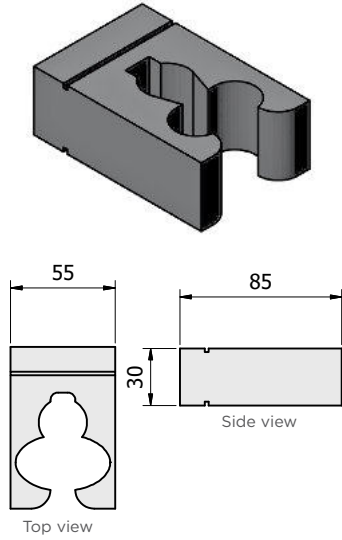
Rubbery gun holders



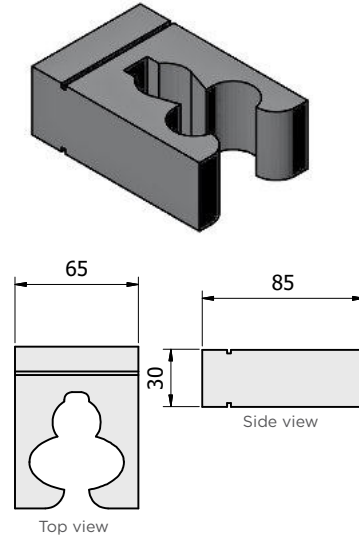
PRAX gun holders

Foam gun holders

Standard foam gun holder with 55 mm span

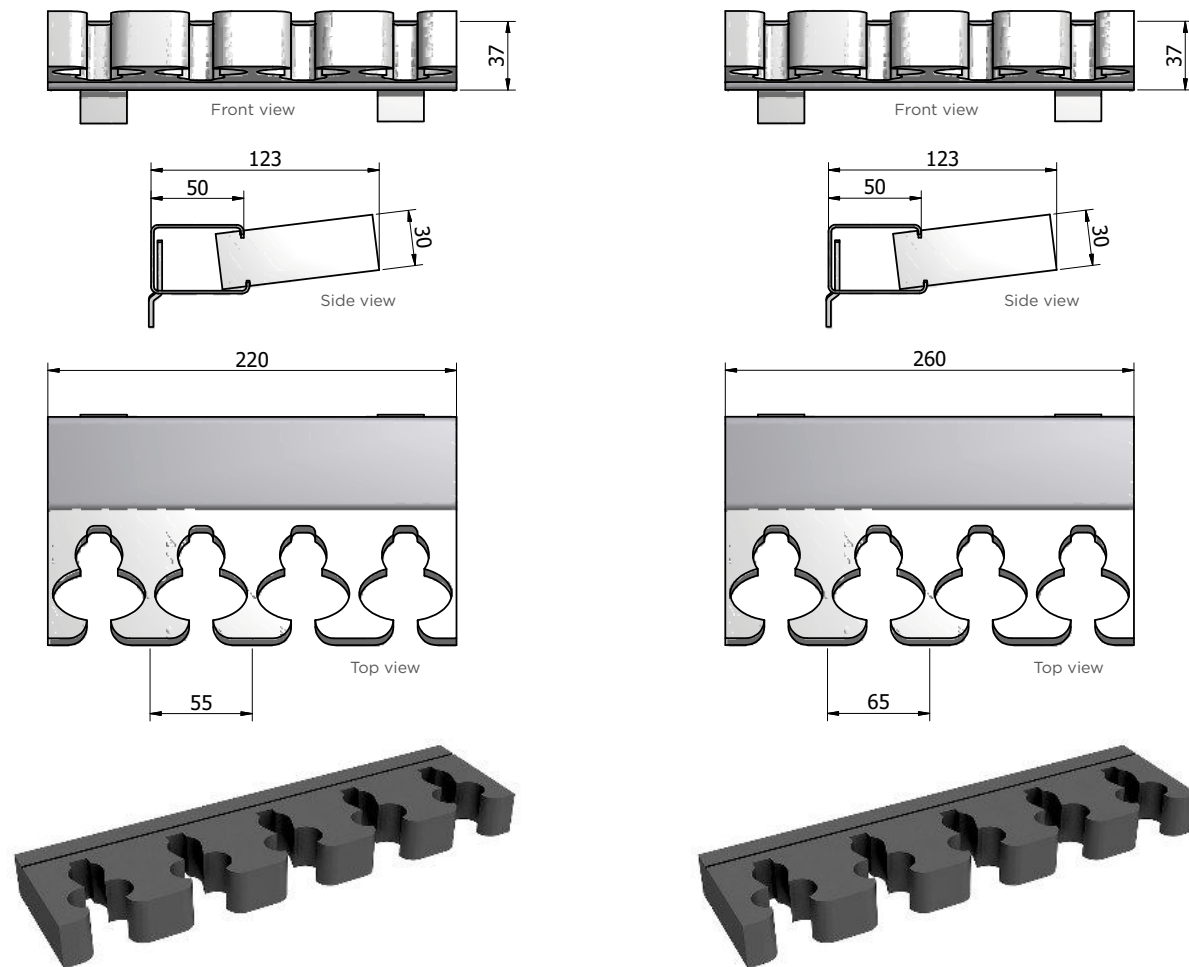


Foam gun holder with 65 mm span



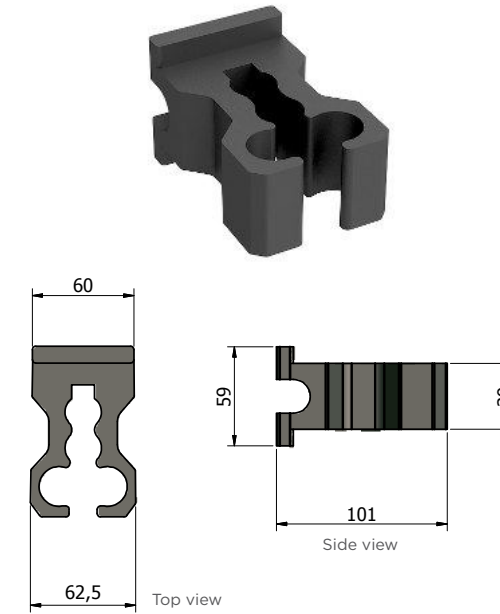
Exemplary assembly of the gun holders on the rail:

⚠ Foam gun holders are assembled as one piece not separately.

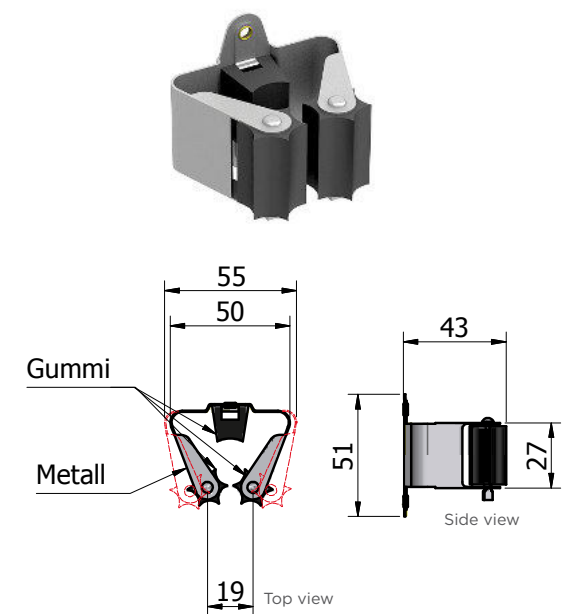


Rubbery gun holders

Rubbery gun holder

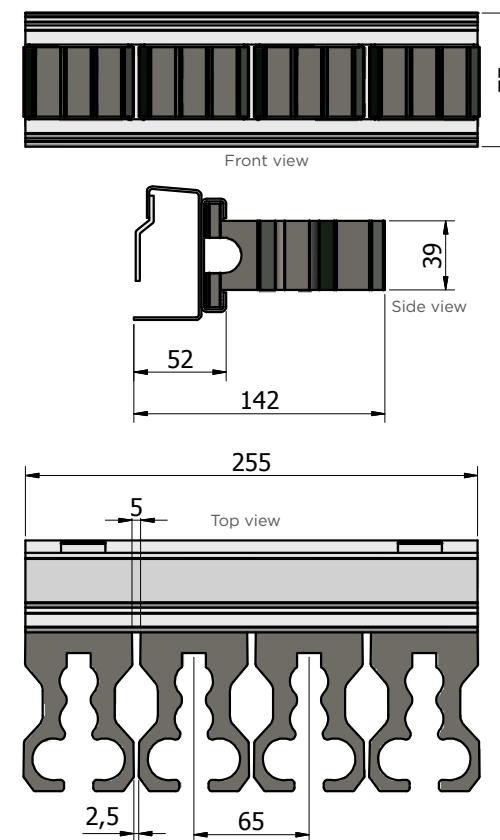


PRAX gun holder



Exemplary assembly of the gun holders on the rail:

⚠ Rubbery gun holders may be assembled on the rail separately, which enables extending of the distance between them. There is a possibility to disassembly particular gun holders. Special rail required.



⚠ Gun holders may be screwed to the rail separately, which enables extending of the distance between them.

Special rail required.

