




Security level: Class 0 according to EN 1143-1

SPECIAL FEATURE - models including movable key wall with the possibility of disassembly. Withdrawing the key wall gives a permanent and easy access to the keys during the day.

Suitable for the storage of:
 keys

Description

Darmstadt serie - key safes. Adjustable, colourful and numbered hook bars.

Body: double-walled body (38 mm thick)
Door: double-walled door (76 mm thick)
Locking: 4-way locking bolt system - incl. overlapping profile on the hinge side

Standard option

Lock: high security key lock I class VdS with two keys (95 mm)
Boltwork handle: knob, protruding 12 mm
Hinges: external
Door opening angle: 180°
Mounting holes: 1 hole in the floor and 4 in back wall
Colour: RAL 7035 (light grey)



Art. No.	Model	Outer dimensions*			Inner dimensions			Door light		Anchoring		Hooks in total	Weight
		Height mm	Width mm	Depth mm	Height mm	Width mm	Depth mm	Height mm	Width mm	Bottom number	Backwall number	Number	Kg
15200	Darmstadt	436	496	300	345	420	177	324	384	1	4	150	74
15201	Darmstadt	636	496	300	545	420	177	524	384	1	4	230	99
15202	Darmstadt	836	496	300	745	420	177	724	384	1	4	350	123
15203	Darmstadt	1036	496	300	945	420	177	924	384	1	4	430	147
15204	Darmstadt	1236	496	300	1145	420	177	1124	384	1	4	550	172

* excluding hinges, handles and fittings



Body: double-walled body (60 mm thick)

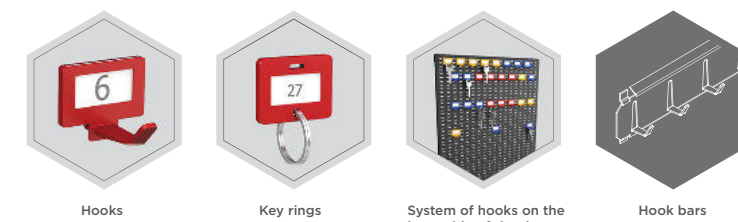


Door: double-walled door (78 mm thick)

Closure options



Accessories available against surcharge

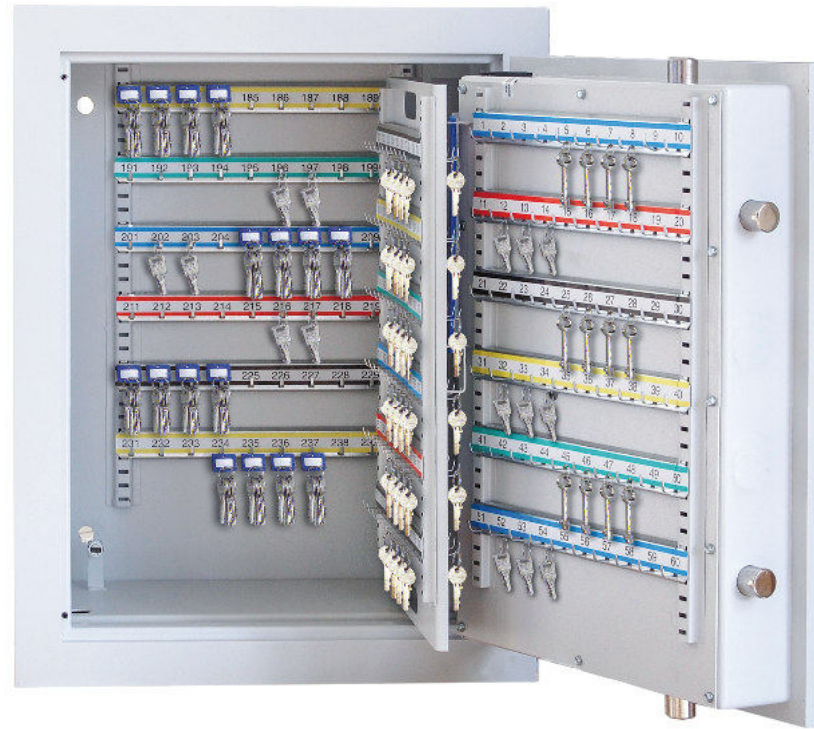


Colour options without surcharge



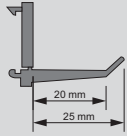
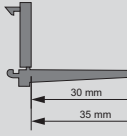
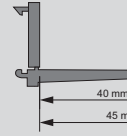











All information concerning weight, color and dimensions are noncommittal and subject to errors and changes. Minor deviations are conditional on the production process. Technical changes, modifications and printing errors reserved. Safes may be top-heavy, during commissioning, please exercise appropriate caution in accordance with the installation guide. Pictograms are not technical description of the product.

The picture shows an example of a key safe - model Darmstadt.



Art. No.	Model	Hook bars			Hooks on hook bar			Partition wall Number	Hooks in total Number
		Back wall Number	Door Number	Partition wall Number	Back wall Number	Door Number	Partition wall Number		
15200	Darmstadt	4	8	3	10	10	10	1	150
15201	Darmstadt	6	12	5	10	10	10	1	230
15202	Darmstadt	9	18	8	10	10	10	1	350
15203	Darmstadt	11	22	10	10	10	10	1	430
15204	Darmstadt	14	28	13	10	10	10	1	550

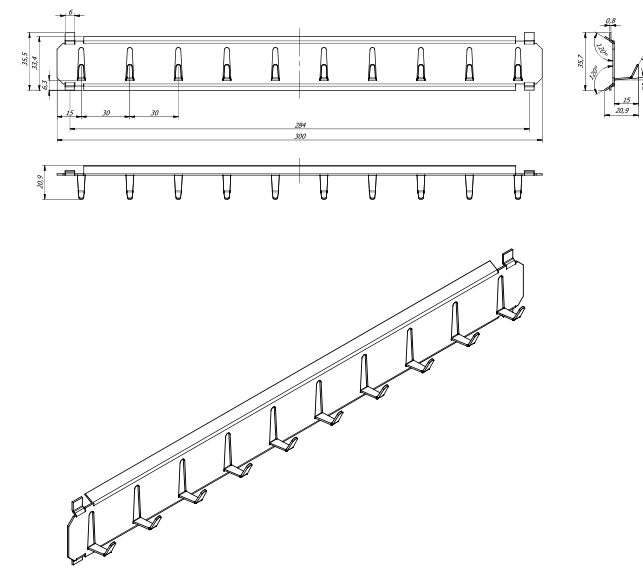
Hooks and key ring options against surcharge.

					
 blue	Art. 02532	Art. 02527	Art. 02520	 blue	Art. 15023.00
 green	Art. 02531	Art. 02526	Art. 02524	 green	Art. 15023.01
 yellow	Art. 02530	Art. 02525	Art. 02523	 yellow	Art. 15023.02
 red	Art. 02533	Art. 02528	Art. 02521	 red	Art. 15023.03
 black	Art. 02534	Art. 02529	Art. 02522	 black	Art. 15023.04

Hook bars

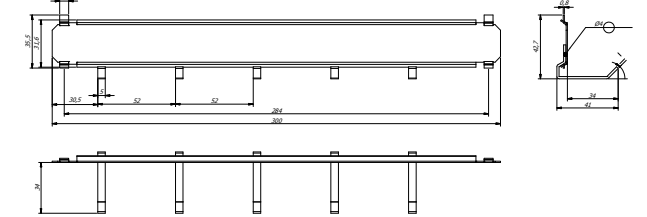
Standard

Art. no. 02010

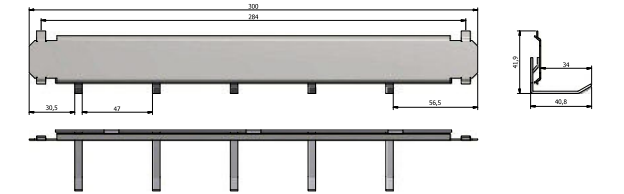


Hook bars options available against surcharge

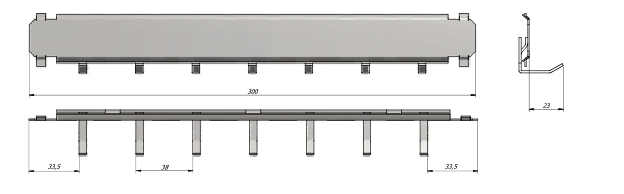
Art. no. 02011



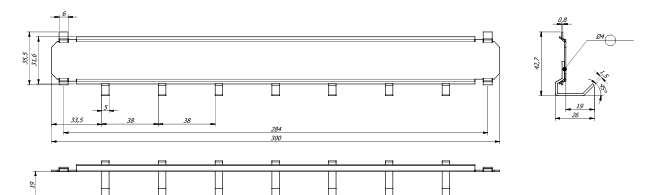
Art. no. 02012



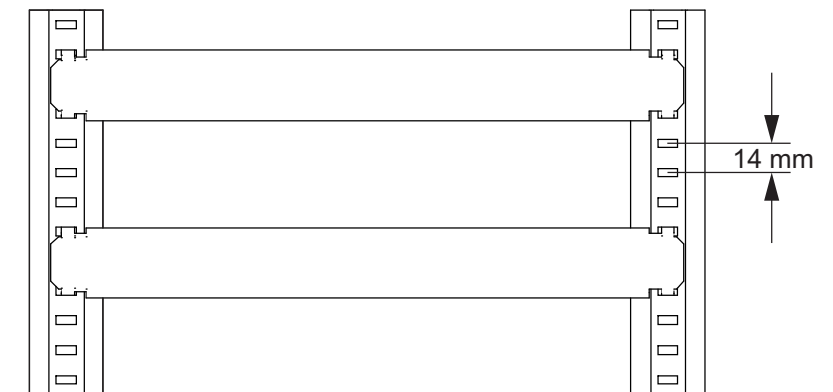
Art. no. 02013



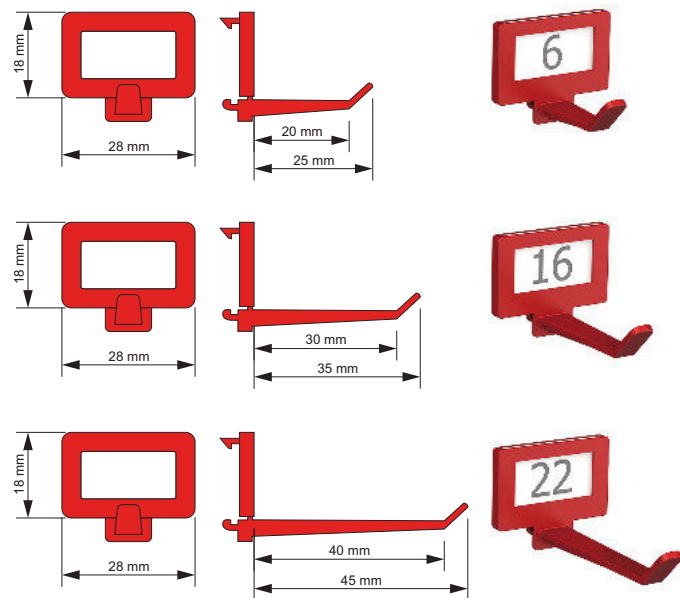
Art. no. 02014



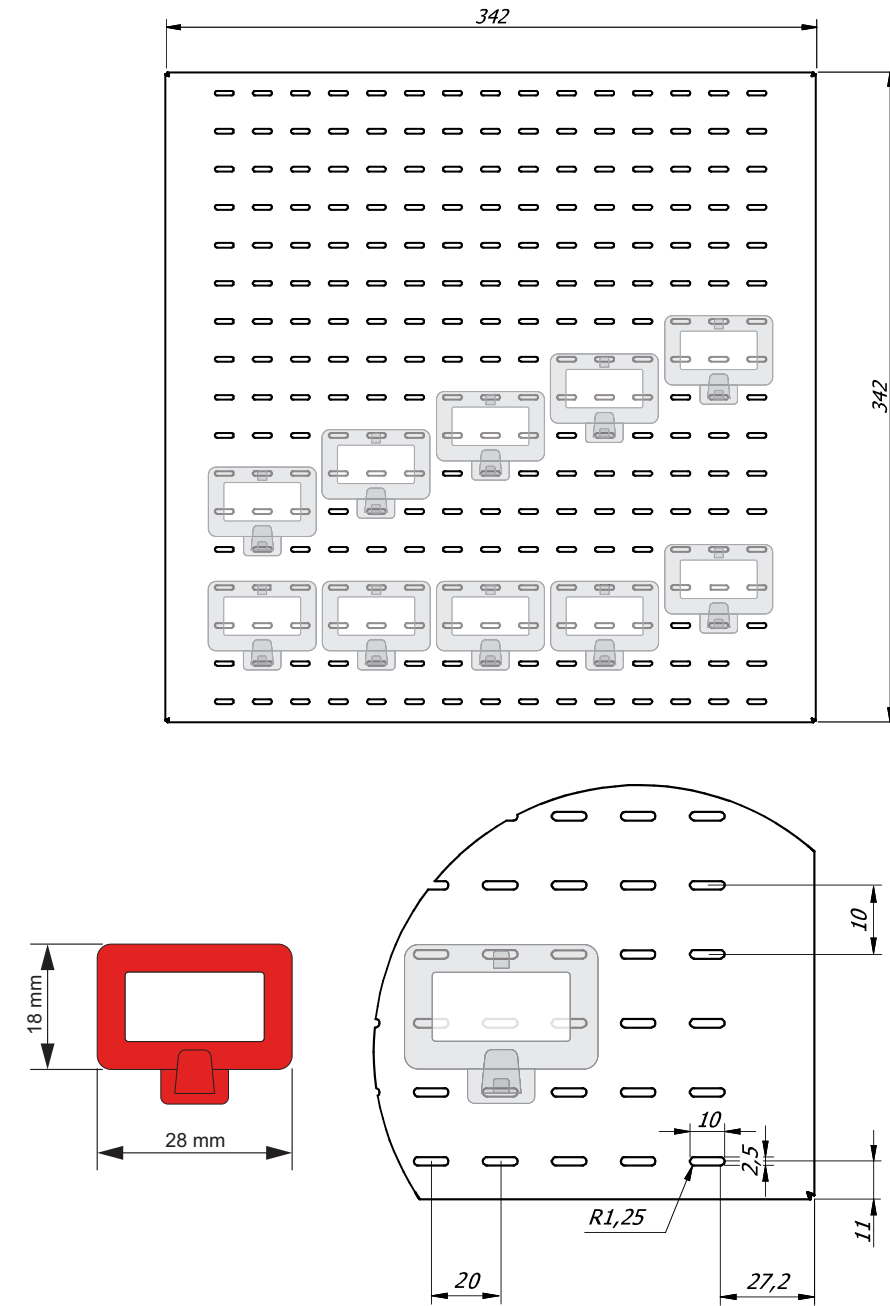
Bar



Hooks assembly system.



Hooks assembly system.



Hook assembly instructions.

