



Model  
**Bad Tölz**



**Security level: Class S2 according to EN 14450**  
**Security level: B according to VDMA 24992 - Conditions May '95**

**SPECIAL FEATURE** - safe equipped with 200 mm high inner safe.

Suitable for the storage of:  
 long, short weapons  
 ammunition

**Description**  
Bad Tölz series - gun safes, gun storage space 1280 mm height.

**Body:** double-walled body (60 mm thick)  
**Door:** double-walled door construction (60 mm thick)  
**Locking :** 4-way locking bolt system - incl. overlapping profile on the hinge side

**Standard option**  
**Lock:** high security key lock I class VdS with two keys (65 mm)  
**Boltwork handle:** handle, protruding 60 mm  
**Hinges:** internal  
**Door opening angle:** 90°  
**Mounting holes:** 2 holes in the fbor and back wall  
**Colour:** RAL 7035 (light grey)



Model  
**Bad Tölz**

Art. No.	Model	Outer dimensions*			Inner dimensions			Door light		Anchoring		Weight Kg	Shelves Number	Weapon brackets Number	Internal safe Height mm
		Height mm	Width mm	Depth mm	Height mm	Width mm	Depth mm	Height mm	Width mm	Bottom number	Backwall number				
54500	Bad Tölz	1600	500	500	1298	380	335	1452	260	2	2	201	-	7	200
54501	Bad Tölz	1600	700	500	1298	580	335	1452	460	2	2	230	-	10	200
54502	Bad Tölz	1700	800	500	1398	680	335	1552	560	2	2	245	-	12	200
54503	Bad Tölz	1800	900	500	1498	780	335	1652	660	2	2	300	-	14	200
54504	Bad Tölz **	1700	1200	500	1398	1080	335	1552	867	2	2	330	-	19	200

\* excluding hinges, handles and fittings \*\* 2-door



Body: double-walled body (60 mm thick)



Door: double-walled door construction (60 mm thick)

**Closure options**

Standard option

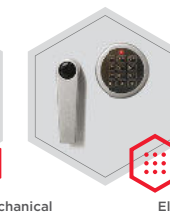


Key lock

Options available against surcharge



Mechanical code lock

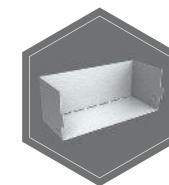


Electronic lock

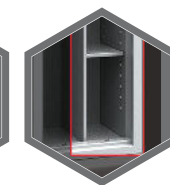


Electronic lock with mechanical emergency

**Accessories available against surcharge**



Storage tray

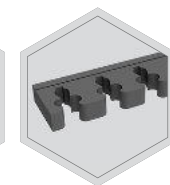


Partition wall with shelves

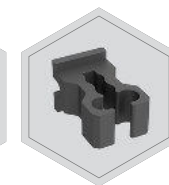
**Alternative options**



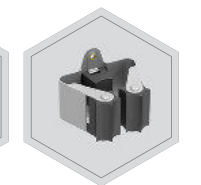
Left door



Gun holder (65 mm)




Rubbery gun holder



PRAX gun holder



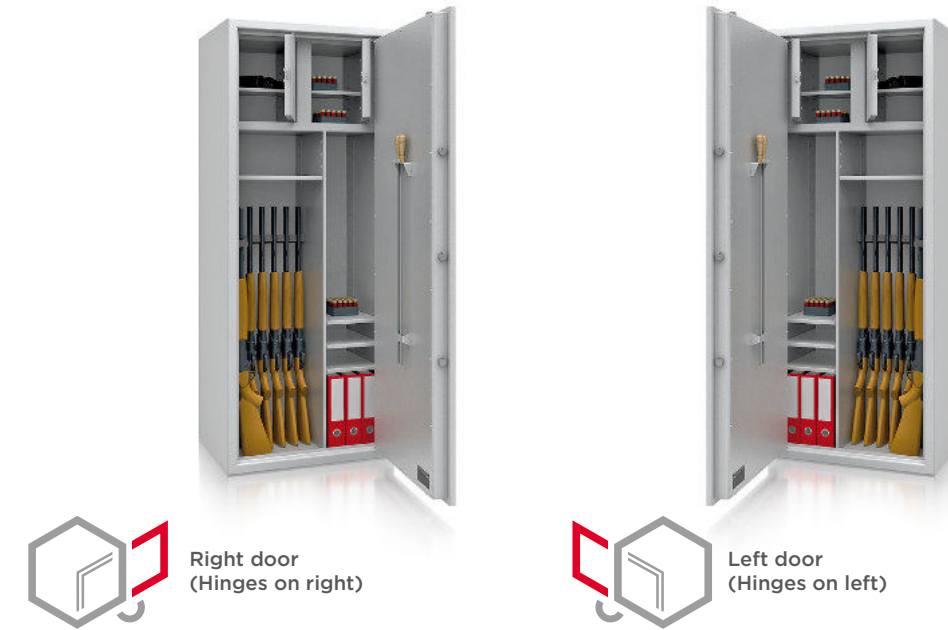
 All information concerning weight, color and dimensions are noncommittal and subject to errors and changes. Minor deviations are conditional on the production process. Technical changes, modifications and printing errors reserved. Safes may be top-heavy, during commissioning, please exercise appropriate caution in accordance with the installation guide. Pictograms are not technical description of the product.



The image depicts a sample of a gun safe - **St.Gallen 56402** with additional equipment.



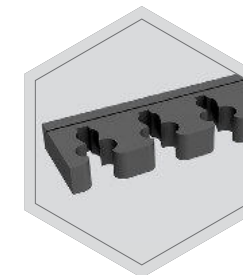
With options **left door** - internal equipment will be located opposite to the standard - the so-called mirror reflection



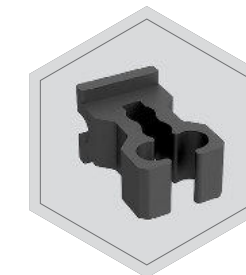
Option with **partition wall** - the amount of gun holders and the location of the shelves is needed



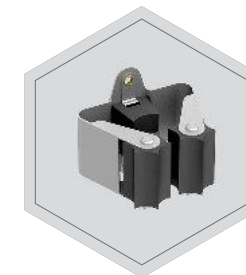
Gun holder



Gun holders with 55 mm span



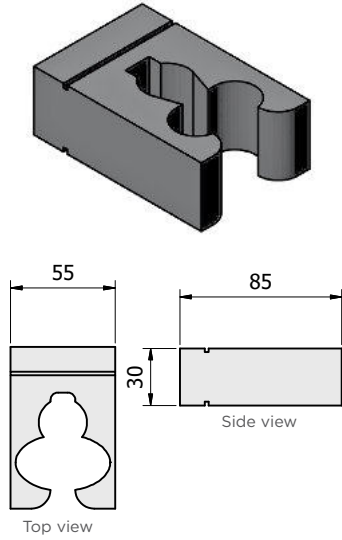
Rubbery gun holders



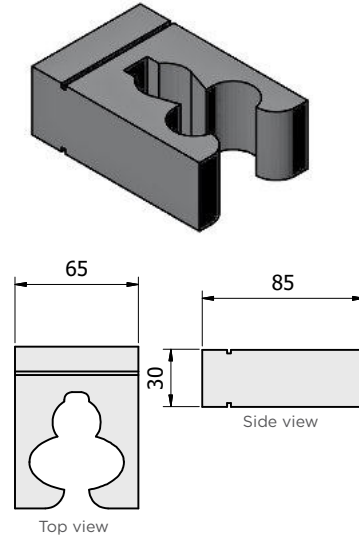
PRAX gun holders

### Foam gun holders

Standard foam gun holder with 55 mm span

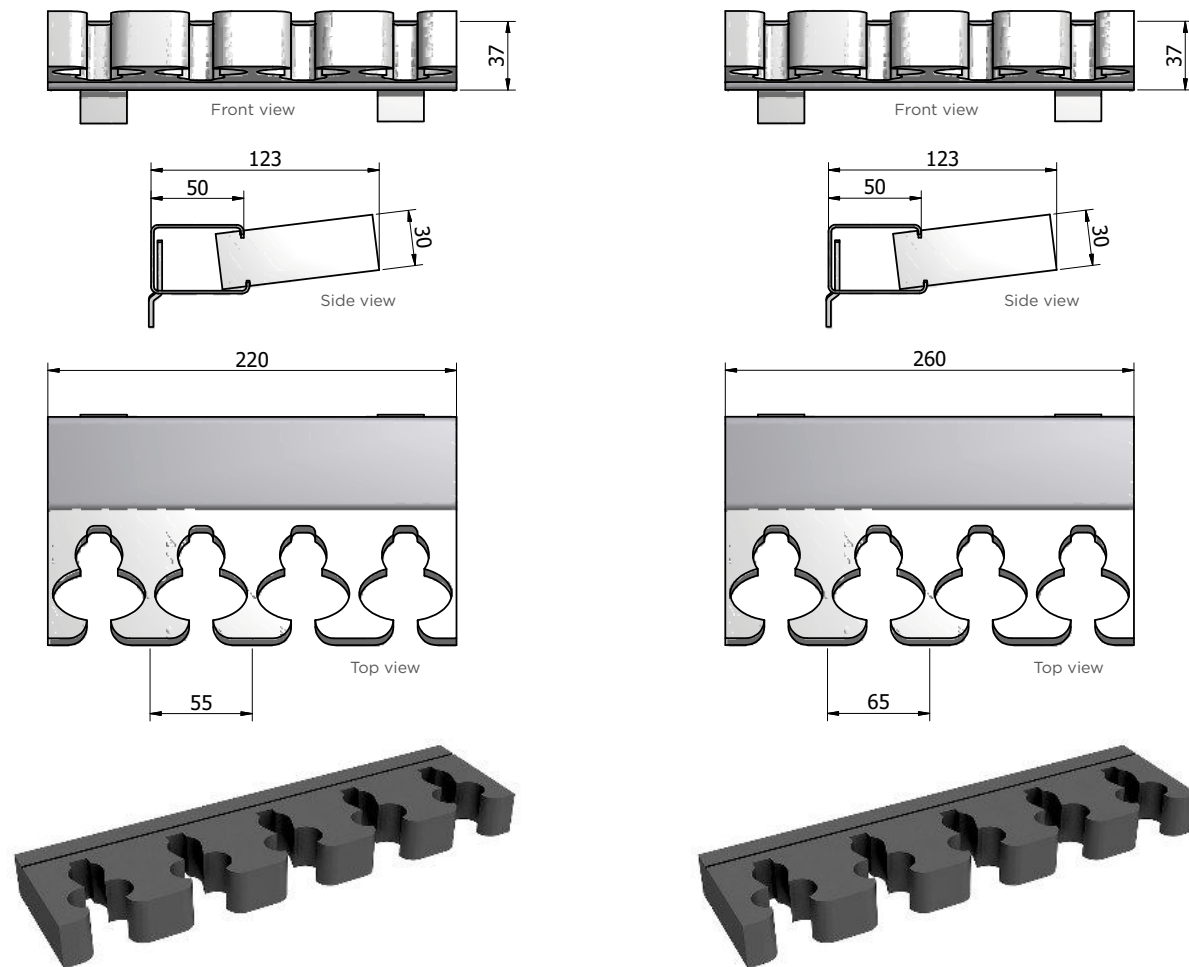


Foam gun holder with 65 mm span



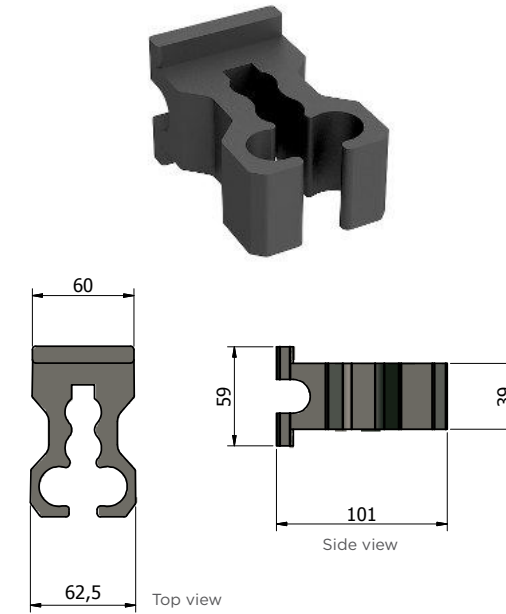
Exemplary assembly of the gun holders on the rail:

⚠ Foam gun holders are assembled as one piece not separately.

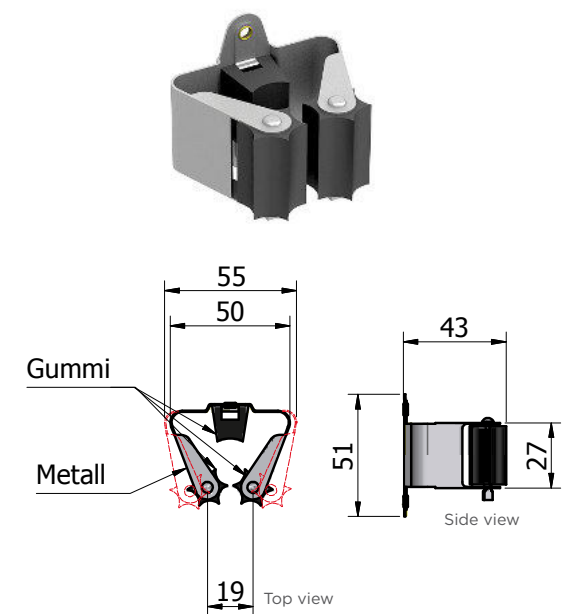


### Rubbery gun holders

Rubbery gun holder

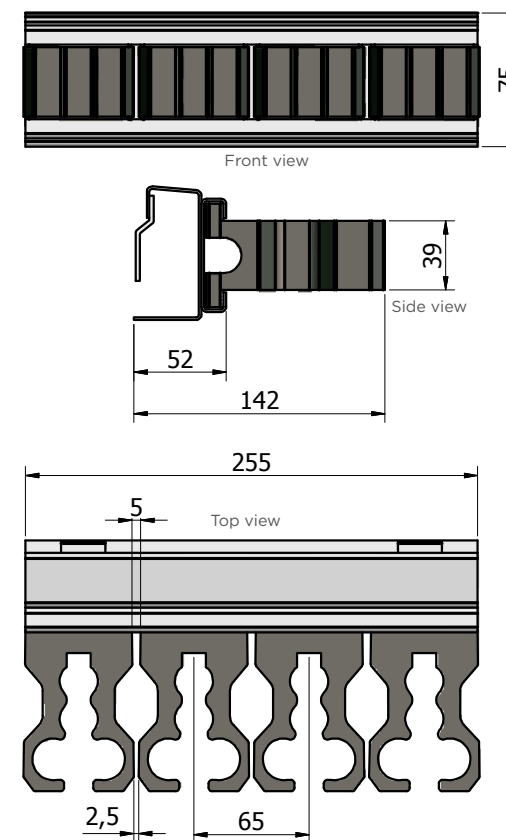


PRAX gun holder



Exemplary assembly of the gun holders on the rail:

⚠ Rubbery gun holders may be assembled on the rail separately, which enables extending of the distance between them. There is a possibility to disassembly particular gun holders. Special rail required.



⚠ Gun holders may be screwed to the rail separately, which enables extending of the distance between them.

Special rail required.

